



VHF RECEIVER MULTICOUPLER CSG 3138225-4RXMC

PARAMETER	SPECIFICATIONS
Frequency Band	138 – 225 MHz
Number of Channels	4
Pass Band	3 MHz
Numbers of Resonators	5
Rx / Rx Isolation	≥ 20 dB
Amplifier Gain	≥ 30 dB
VSWR @ Resonance (Max.)	1.25 :1
Impedance	50 Ω
Connectors Input / Output	N / N
Amplifier type	Bipolar
Amplifier Noise figure	3.0 dB
Amplifier 3rd Order IP	≥ 42 dBm
Amplifier 1 dB Comp	≥ 21 dBm
System NF (typ.)	5 dB
Amplifier Bias Voltage	13.6 VDC
Amplifier Current Drawn	200 mA
System Voltage	230 / 115 VAC
Temperature Range	-30 to +60 °C
Dimensions Approx.(H x W x D)	134 x 483 x 254 mm
Weight Approx.	5.5 Kg

CSG NETWORKS ALSO UNDERTAKE DESIGNS PER YOUR REQUIREMENT

UHF RECEIVER MULTICOUPLER CSG 33500-6RXMC

PARAMETERS	SPECIFICATIONS
Frequency Band	300-512 MHz
No. of Channels	6
Pass Band	3-10MHz
No. of Resonators	5
Rx/Rx Isolation	≥ 23 dB
Amplifier Gain	≥ 30 dB
Max. VSWR@Resonance	1.25:1
Impedance	50 Ω
Connectors	N/ N
Amplifier type	Bipolar
Amplifier Noise figure	3.0 dB
Amplifier 3rd Order IP	≥ 42 dBm
Amplifier 1 dB Comp	≥ 21 dB
System NF (typ.)	5.0 dB
Amplifier Bias Voltage	13.6 VDC
Amplifier Current Drawn	200 mA
System Voltage	230 VAC
Temperature Range	- 30 to +60 ° C
Dimensions Approx.(H x W x D)	134 x 483 x 254mm
Weight Approx.	5.5 Kg



OPTIONAL: RECEIVER MULTICOUPLER IN OTHER CAPACITY e.g 2, 9-12,13-16CHANNELS ARE AVAILABLE



VHF RECEIVER MULTICOUPLER CSG 3138225-6RXMC

PARAMETERS	SPECIFICATIONS
Frequency Band	138~225 MHz
No. of Channels	6
Pass Band	3-8MHz
No. of Resonators	5
Rx/Rx Isolation	≥20 dB
Amplifier Gain	≥30 dB
Max. VSWR@Resonance	1.25:1
Impedance	50 Ω
Connectors	N/ N
Amplifier type	Bipolar
Amplifier Noise figure	3.0 dB
Amplifier 3rd Order IP	≥42 dBm
Amplifier 1 dB Comp	≥21 dB
System NF (typ.)	5.0 dB
Amplifier Bias Voltage	13.6 VDC
Amplifier Current Drawn	200 mA
System Voltage	230 VAC
Temperature Range	- 30 to +60 ° C
Dimensions Approx.(H x W x D)	134 x 483 x 254mm
Weight Approx.	5.5 Kg



OPTIONAL: RECEIVER MULTICOUPLER IN OTHER CAPACITY e.g 2, 4, 9-12,13-16 CHANNELS ARE AVAILABLE



VHF RECEIVER MULTICOUPLER CSG 3138225-8RXMC

PARAMETERS	SPECIFICATIONS
Frequency Band	138~225 MHz
No. of Channels	8
Pass Band	3-8MHz
No. of Resonators	5
Rx/Rx Isolation	≥20 dB
Amplifier Gain	≥30 dB
Max. VSWR@Resonance	1.25:1
Impedance	50 Ω
Connectors	N/ N
Amplifier type	Bipolar
Amplifier Noise figure	3.0 dB
Amplifier 3rd Order IP	≥42 dBm
Amplifier 1 dB Comp	≥21 dB
System NF (typ.)	5.0 dB
Amplifier Bias Voltage	13.6 VDC
Amplifier Current Drawn	200 mA
System Voltage	230 VAC
Temperature Range	- 30 to +60 ° C
Dimensions Approx.(H x W x D)	134 x 483 x 254mm
Weight Approx.	5.5 Kg



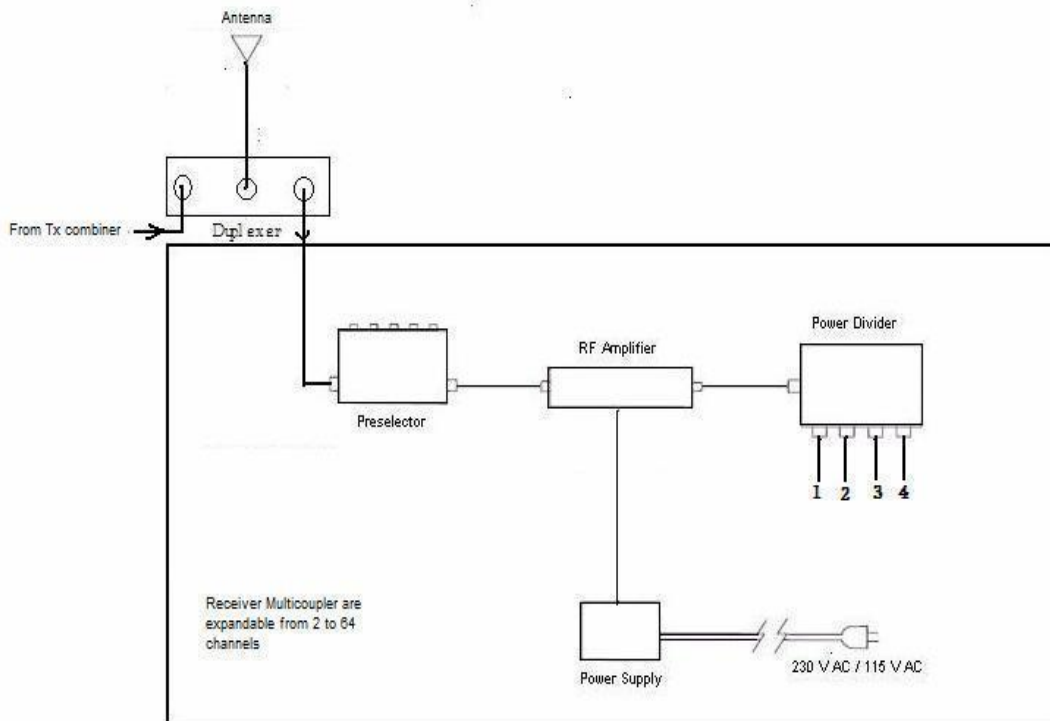
OPTIONAL: RECEIVER MULTICOUPLER IN OTHER CAPACITY e.g 2, 4, 9-12,13-16 CHANNELS ARE AVAILABLE



RECEIVER MULTICOUPLER CSG 33500-4RXMC

The CSG 33500-4RXMC series of Receiver multicouplers include a basic chassis on which high performance, Pre-selector, Low noise amplifier, its power supply and Power divider are mounted. A typical Block diagram is shown below. Wide selection of preselectors, amplifiers and dividers provide multicoupler models meeting requirements of all radio site applications. Standard and custom models include:

Operation in VHF and UHF bands. Two to Sixteen channel receivers. 230 volts or 115 Volts AC
Preselector passbands from as narrow as 0.5 MHz. to more than 20 MHz.



Block diagram of standard Receiver Multicoupler



RECEIVER MULTICOUPLER CSG 33500-4RXMC

PARAMETER	SPECIFICATIONS
Frequency Band	300 – 512 MHz
Number of Channels	4
Pass Band	3-10 MHz
Numbers of Resonators	5
Rx / Rx Isolation	≥ 23 dB
Amplifier Gain	≥ 30 dB
Max. VSWR @ Resonance	1.25 :1
Impedance	50 Ω
Connectors	N / BNC
Amplifier type	Bipolar
Amplifier Noise figure	3.0 dB
Amplifier 3 rd Order IP	≥ 42 dBm
Amplifier 1 dB Comp	≥ 21 dBm
System NF (typ.)	5 dB
Amplifier Bias Voltage	13.6 VDC
Amplifier Current Drawn	200 mA
System Voltage	230 VAC
Temperature Range	-30 to +60 °C
Dimensions Approx.(H x W x D)	134 x 483 x 254 mm
Weight Approx.	5.4 Kg

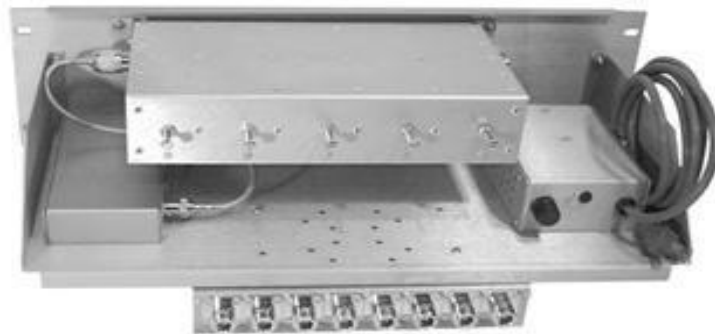
PRODUCT PICTURE:



Optional : Receiver Multicouplers in other capacity e.g. 2, 5-8, 9-12, 13-16 are available

UHF RECEIVER MULTICOUPLER CSG 33500-6RXMC

PARAMETERS	SPECIFICATIONS
Frequency Band	300-512 MHz
No. of Channels	6
Pass Band	3-10MHz
No. of Resonators	5
Rx/Rx Isolation	≥ 23 dB
Amplifier Gain	≥ 30 dB
Max. VSWR@Resonance	1.25:1
Impedance	50 Ω
Connectors	N/ N
Amplifier type	Bipolar
Amplifier Noise figure	3.0 dB
Amplifier 3rd Order IP	≥ 42 dBm
Amplifier 1 dB Comp	≥ 21 dB
System NF (typ.)	5.0 dB
Amplifier Bias Voltage	13.6 VDC
Amplifier Current Drawn	200 mA
System Voltage	230 VAC
Temperature Range	- 30 to +60 ° C
Dimensions Approx.(H x W x D)	134 x 483 x 254mm
Weight Approx.	5.5 Kg



OPTIONAL: RECEIVER MULTICOUPLER IN OTHER CAPACITY e.g 2, 9-12,13-16CHANNELS ARE AVAILABLE