

POWER SPLITTERS (TETRA / UHF BAND)

CSG 33050-XXX series Power Splitters are designed on Microstrip circuit. Available in 2, 3 and 4 Way configurations these are extensively used in UHF / TETRA frequency band of 300-500 MHz for a variety of RF Power dividing applications. These feature low splitter insertion loss and high port-to-port isolation. Manufactured using a robust solid milled aluminum housing these products are ideal for use In-building passive Distributed Antenna Systems DAS, and leaky cable systems for UHF wireless services

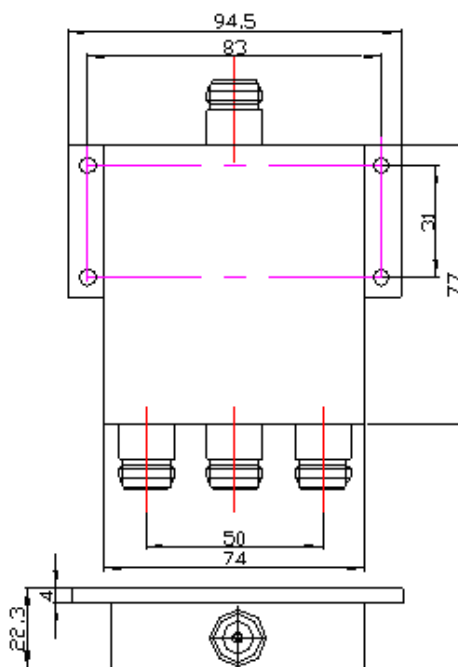
| PARAMETERS | SPECIFICATIONS | | |
|---|---------------------|---------------------|-------------------|
| | Two Way Splitter | Three Way Splitter | Four Way Splitter |
| Model | CSG 33050-2NWX | CSG 33050-3NWX | CSG 33050-4NWX |
| Frequency Range | 300 – 500 MHz | 300 – 500 MHz | 300 – 500 MHz |
| Insertion Loss | ≤ 3.2 dB | ≤ 5.2 dB | ≤ 6.3 dB |
| Isolation | ≥ 19 dB | ≥ 20 dB | ≥ 25 dB |
| VSWR | ≤ 1.3:1 | ≤ 1.25:1 | ≤ 1.4:1 |
| Impedance | 50 Ω | | |
| Power | 50 Watts | | |
| Connectors | N-Female | | |
| Operating Temperature | -20°C ~ + 60°C | | |
| Operating Humidity | 5% - 95% | | |
| Dimensions Approx. (except connectors) | 94.5 x 77 x 22.3 mm | 94.5 x 77 x 22.3 mm | 146 x 138 x 23 mm |
| Weight Approx. | 300 grams | 330 grams | 570 grams |



3 Way Power Splitter CSG33050-3NWX

| PARAMETERS | SPECIFICATIONS |
|-----------------------|--|
| Frequency Range | 300 - 500 MHz |
| Insertion Loss | $\leq 5.2\text{dB}$ |
| Isolation | $\geq 20\text{ dB}$ |
| Impedance | $50\ \Omega$ |
| VSWR | $\leq 1.25:1$ |
| Power Rating | 50 Watt |
| Connectors | N-Female |
| Weight (Approx.) | 330 grams |
| Dimensions (Approx.) | 94.5 x 77 x 22.3 mm |
| Housing Material | Aluminum |
| Operating Temperature | $-20\ ^\circ\text{C}$ to $+60\ ^\circ\text{C}$ |

Mechanical Drawing



Front View



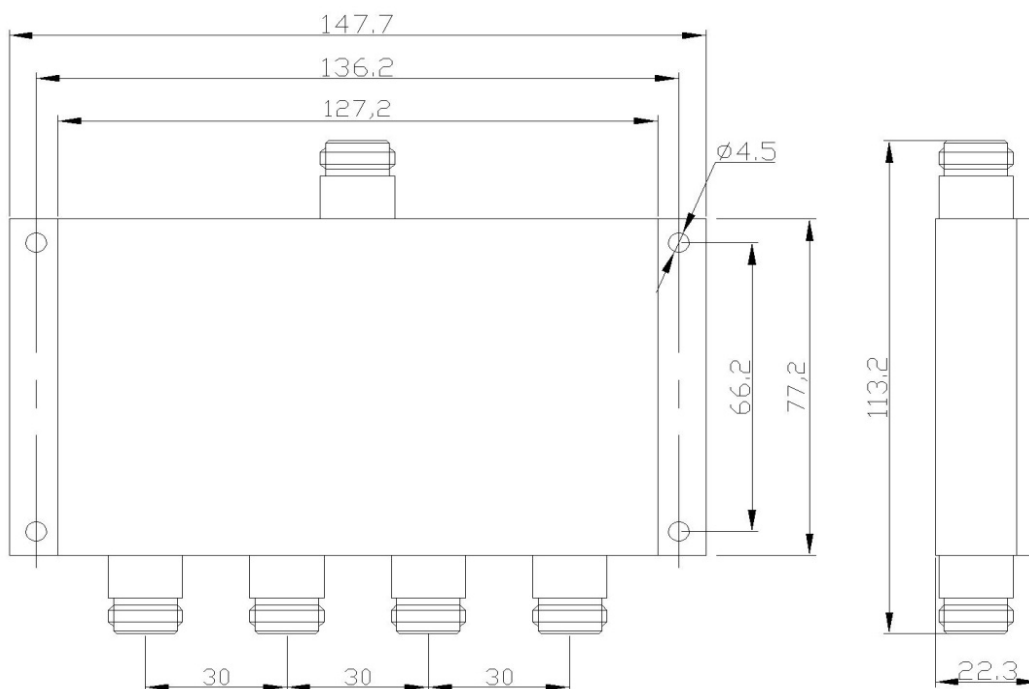
WE ALSO UNDERTAKE DESIGNS PER YOUR REQUIREMENT

4 Way Power Splitter

CSG33050-4NWX

| PARAMETERS | SPECIFICATIONS |
|-----------------------|--|
| Frequency Range | 300 - 500 MHz |
| Insertion Loss | $\leq 6.3\text{dB}$ |
| Isolation | $\geq 25\text{ dB}$ |
| Impedance | $50\ \Omega$ |
| VSWR | $\leq 1.4:1$ |
| Power Rating | 50 Watt |
| Connectors | N-Female |
| Weight (Approx.) | 490 grams |
| Dimensions (Approx.) | 147.7 x 13.2 x 22.3 mm |
| Housing Material | Aluminum |
| Operating Temperature | $-20\ ^\circ\text{C}$ to $+60\ ^\circ\text{C}$ |

Mechanical Drawing



Front View



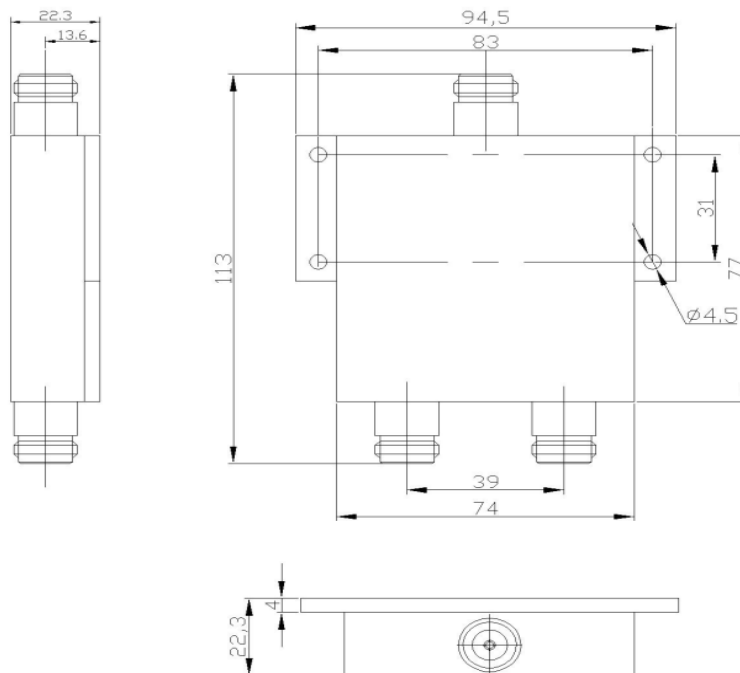
WE ALSO UNDERTAKE DESIGNS PER YOUR REQUIREMENT

2 Way Power Splitter

CSG33050-2NWX

| PARAMETERS | SPECIFICATIONS |
|-----------------------|--|
| Frequency Range | 300 - 500 MHz |
| Insertion Loss | $\leq 3.5\text{dB}$ |
| Isolation | $\geq 19\text{ dB}$ |
| Impedance | $50\ \Omega$ |
| VSWR | $\leq 1.3 : 1$ |
| Power Rating | 50 Watt |
| Connectors | N-Female |
| Weight (Approx.) | 300 grams |
| Dimensions (Approx.) | 94.5 x 77 x 22.3 mm |
| Housing Material | Aluminum |
| Operating Temperature | $-20\ ^\circ\text{C}$ to $+60\ ^\circ\text{C}$ |

Mechanical Drawing



Front View



WE ALSO UNDERTAKE DESIGNS PER YOUR REQUIREMENT