

2 Way Power Splitter

CSG 380050-2NW

PARAMETERS	SPECIFICATIONS
Frequency Range	800 ~ 2500 MHz
Division Ratio	3.05 dB
Insertion Loss	≤ 3.5 dB
Isolation	≥ 20 dB
Impedance	50 Ω
VSWR	≤ 1.4 : 1
Power Rating	50 Watt
Connector	N(F)
Dimensions	117 x 83 x 21 mm
Weight (Approx.)	240 grams
Operating Humidity	5 % ~ 95 %
Operating Temperature	-30 °C ~ +60 °C



WE ALSO UNDERTAKE DESIGNS PER YOUR REQUIREMENT

2 Way Power Splitter

CSG 380050-2NW

PARAMETERS	SPECIFICATIONS
Frequency Range	800 ~ 2500 MHz
Division Ratio	3.05 dB
Insertion Loss	≤ 3.5 dB
Isolation	≥ 20 dB
Impedance	50 Ω
VSWR	≤ 1.4 : 1
Power Rating	50 Watt
Connector	N(F)
Dimensions	117 x 83 x 21 mm
Weight (Approx.)	240 grams
Operating Humidity	5 % ~ 95 %
Operating Temperature	-30 °C ~ +60 °C



WE ALSO UNDERTAKE DESIGNS PER YOUR REQUIREMENT

3 Way Power Splitter CSG 380050-3NW

PARAMETERS	SPECIFICATIONS
Frequency Range	800 ~ 2500 MHz
Division Ratio	4.83 dB
Insertion Loss	≤ 5.4 dB
Isolation	≥ 20 dB
Impedance	50 Ω
VSWR	≤ 1.4 : 1
Power Rating	50 Watt
Connector	N-Female
Dimensions	135 x 83 x 21 mm
Weight (Approx.)	245 grams
Operating Humidity	5 % ~ 95 %
Operating Temperature	-30 °C ~ +60 °C

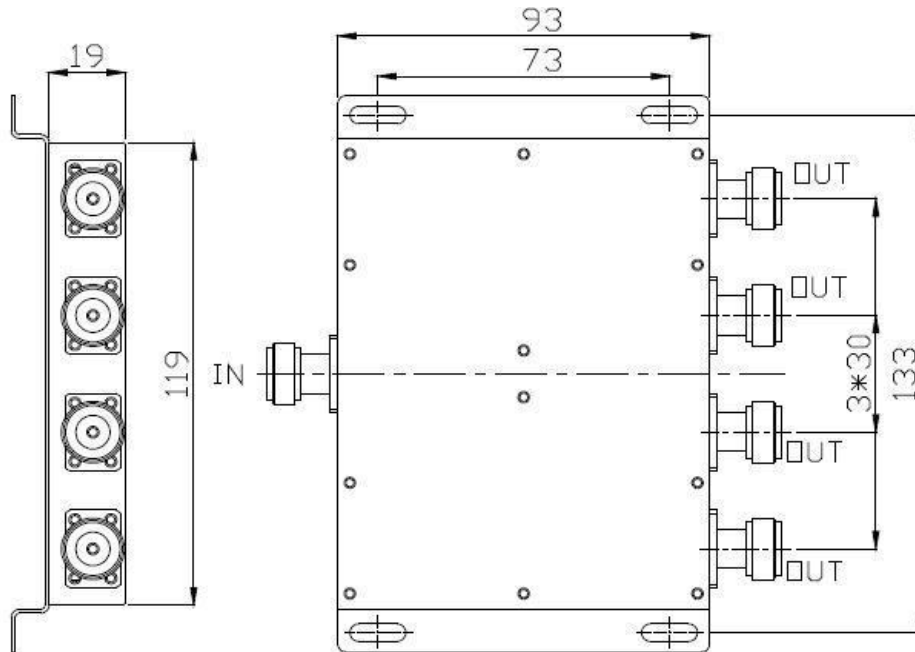


WE ALSO UNDERTAKE DESIGNS PER YOUR REQUIREMENT

4 Way Power Splitter CSG 380050-4NW

PARAMETERS	SPECIFICATIONS
Frequency Range	800 ~ 2500 MHz
Division Ratio	6.02 dB
Insertion Loss	≤ 6.5 dB
Ripple in Band	≤ ±0.3 dB
Isolation	≥ 20 dB
Return Loss	≥ 20 dB
Amplitude Balance	≤ 0.2 dB
Phase Balance	≤ 5°
Impedance	50 Ω
PIM	≤ -140 @ +43 dBm x 2 dBc
Power Rating	50 Watt
Connector	N-Female
Dimensions	93 x 119 x 19 mm
Weight (Approx.)	486 grams
Operating Temperature	-30 °C ~ +70 °C

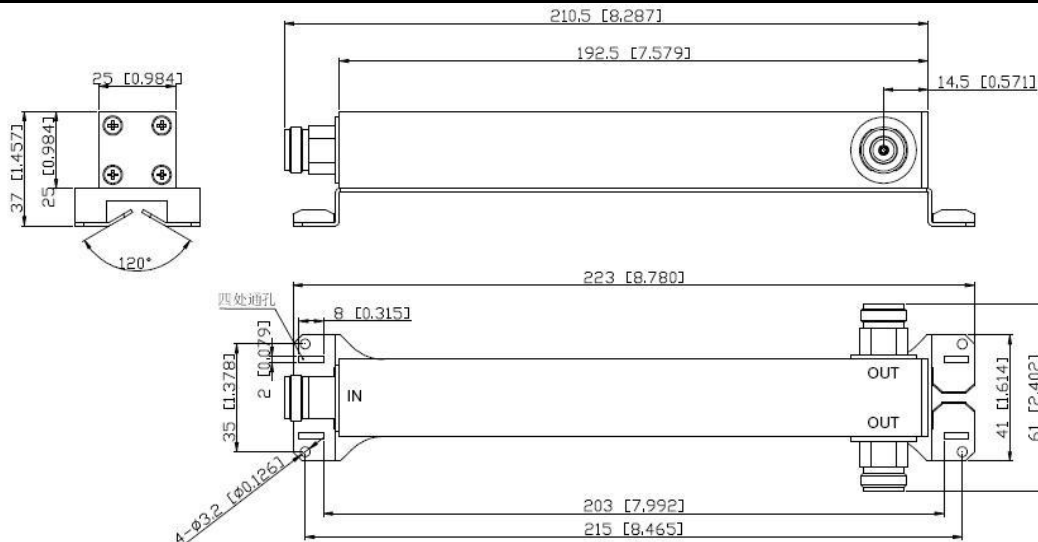
Structure Drawing



WE ALSO UNDERTAKE DESIGNS PER YOUR REQUIREMENT

2 Way Power Splitter CSG 3800100-2NC

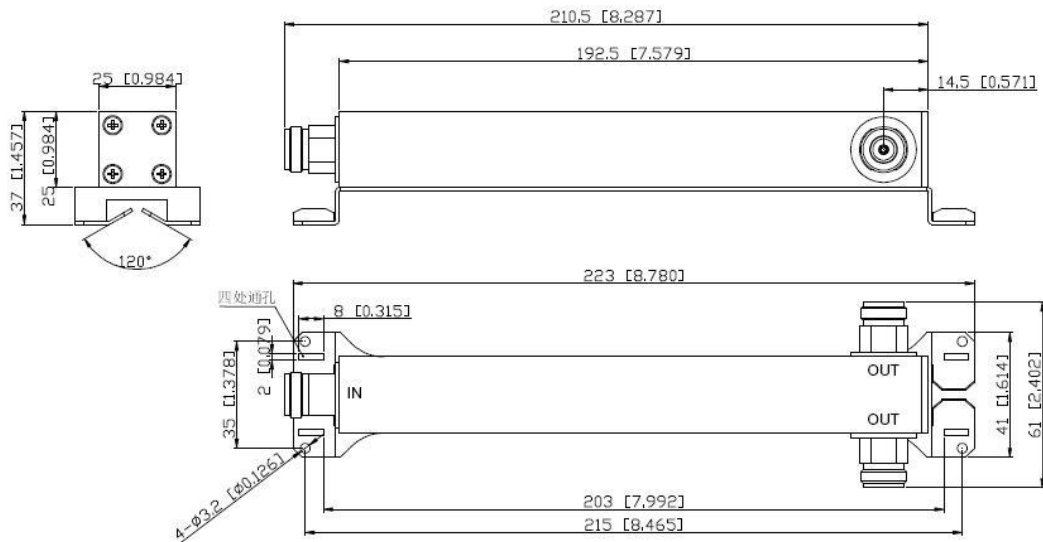
PARAMETERS	SPECIFICATIONS
Frequency Band	800-2500 MHz
Impedence	50 Ω
Division Ratio	3.01 dB
Insertion Loss	≤ 3.26 dB
VSWR	$\leq 1.2:1$
Input Power	≤ 100 Watt
PIM	$\leq -140@+43$ dBm x 2dBc
Ripple in band	$\leq \pm 0.2$ dB
Input Connector	N (Female)
Dimensions (Approx.)	223 x 61 x 37 mm
Weight (Approx.)	0.40 kg
Operating Temperature	-30 ~ +70 $^{\circ}$ C



WE ALSO UNDERTAKE DESIGNS PER YOUR REQUIREMENT

3 Way Power Splitter CSG 3800100-3NC

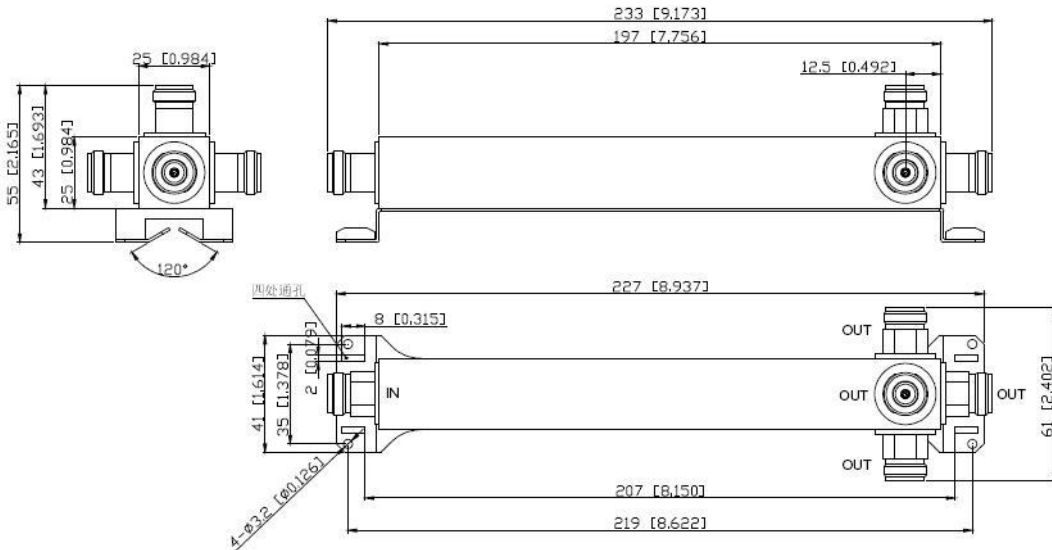
PARAMETERS	SPECIFICATIONS
Frequency Band	800-2500 MHz
Impedence	50 Ω
Division Ratio	4.77 dB
Insertion Loss	≤ 5.02 dB
VSWR	$\leq 1.2:1$
Input Power	≤ 100 Watt
PIM	$\leq -140@+43$ dBm x 2dBc
Ripple in band	$\leq \pm 0.2$ dB
Input Connector	N (Female)
Dimensions (Approx.)	236 x 61 x 37 mm
Weight (Approx.)	0.40 kg
Operating Temperature	$-30 \sim +70$ °C



WE ALSO UNDERTAKE DESIGNS PER YOUR REQUIREMENT

4 Way Power Splitter CSG 3800100-4NC

PARAMETERS	SPECIFICATIONS
Frequency Band	800-2500 MHz
Impedence	50 Ω
Division Ratio	6.02 dB
Insertion Loss	≤ 6.27 dB
VSWR	$\leq 1.2:1$
Input Power	≤ 100 Watt
PIM	$\leq -140@+43$ dBm x 2dBc
Ripple in band	$\leq \pm 0.2$ dB
Input Connector	N (Female)
Dimensions (Approx.)	233 x 61 x 55 mm
Weight (Approx.)	0.51 kg
Operating Temperature	$-30 \sim +70$ °C



WE ALSO UNDERTAKE DESIGNS PER YOUR REQUIREMENT