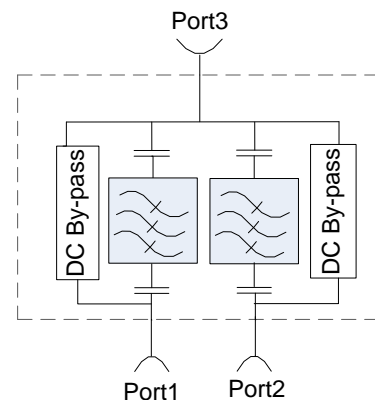
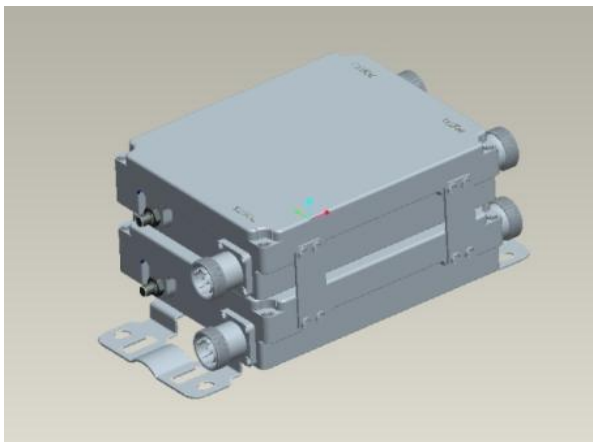


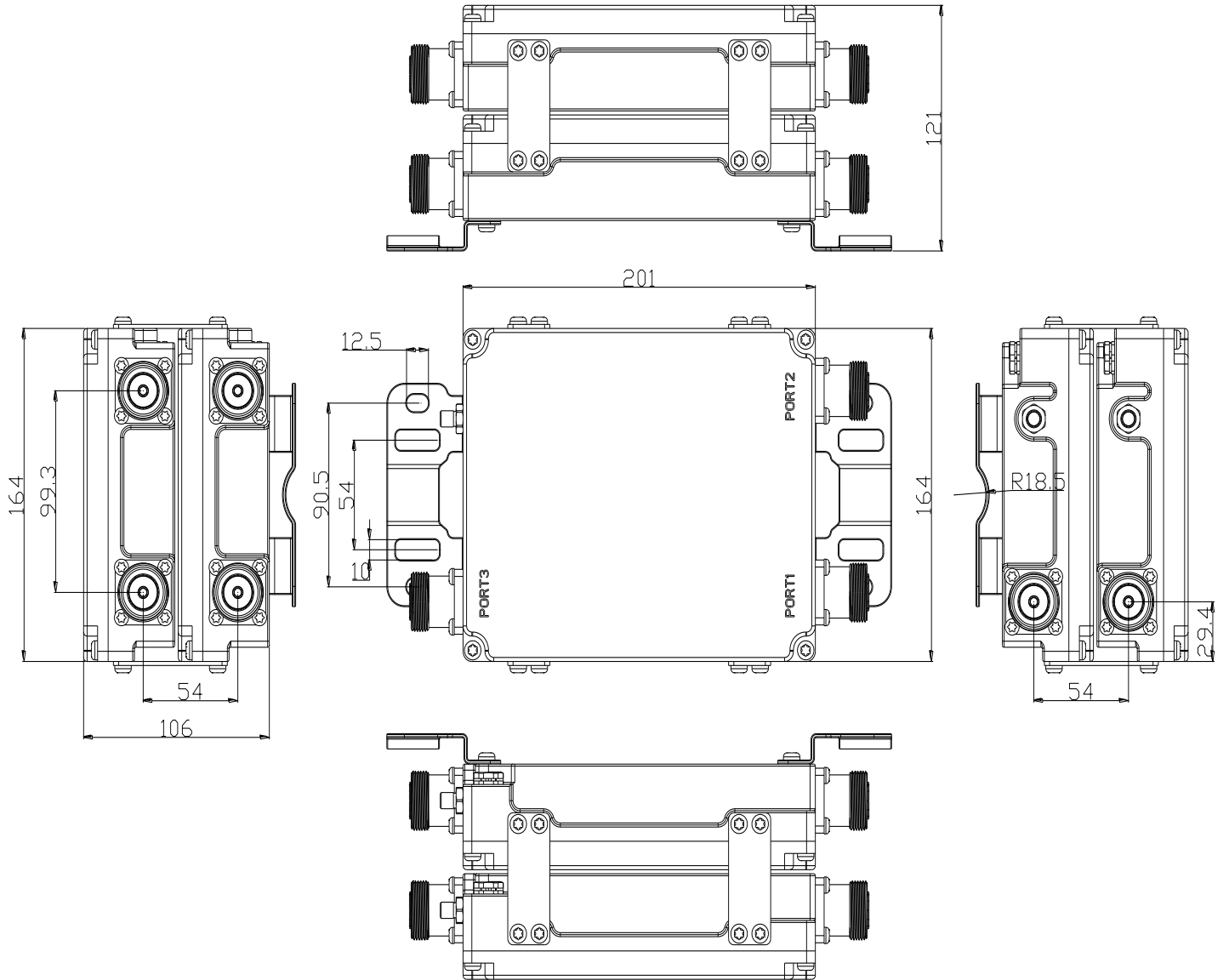


DCS1800 MHz & UMTS2100 MHz Diplexer / Combiner Model:CSG-COMB-DIP-1721D

PARAMETERS	SPECIFICATION	
Ports	Port 1	Port 2
Frequency Band	1710 - 1880 MHz	1920 - 2170 MHz
Insertion Loss	≤ 0.4 dB Typical(0.25 dB)	
Ripple in Band	≤ 0.3 dB	
Isolation	≥ 60 dB	
VSWR	≤ 1.25	
Impedance	50 Ω	
Input Power	250 Watt	300 Watt
PIM3	-150dBc @ +43dBm x 2	
DC Pass Current	Max. 2500mA (Between All Ports)	
Lightning Protection	10KA : 8/20 s pulse (IEC 801-5)	
MTBF Hours	≥ 500,000	
Connectors	3-DIN-Female	
Operating Temperature	-20 °C ~ + 55 °C	
Storage Temperature	-35 °C ~ + 75 °C	
Relative Humidity	5 ~ 95 %	
Application	IP66	
Weight	4 Kg	
Dimension (Approx)	201 × 164 × 106 mm (Without connectors)	



Outline Drawing:



WE ALSO UNDERTAKE DESIGNS PER YOUR REQUIREMENT

Duplexer- Point of Interface CSG 1800/2400 NX

PARAMETERS	SPECIFICATION	
Ports	Channel CH 1	Channel CH 2
Frequency Band	800 ~ 2200 MHz	2400 ~ 2500 MHz
Band Width	1400 MHz	100 MHz
Insertion Loss	≤ 0.3 dB	≤ 0.6 dB
Band Ripple	≤ 0.2 dB	≤ 0.3 dB
Return loss	≥ 18	≥ 18
Isolation	≥ 90 dB @ CH 2	≥ 90 dB @ CH 1
Power Rating	100 Watt	
PIM	≤ -140dBc @ +43dBm x 2	
Impedance	50 Ω	
Connectors	N-Female	
Temperature	-25 ~ + 55 °C	
Dimension (Approx)	216 × 75 × 22 mm	
Weight	1.25 Kg.	



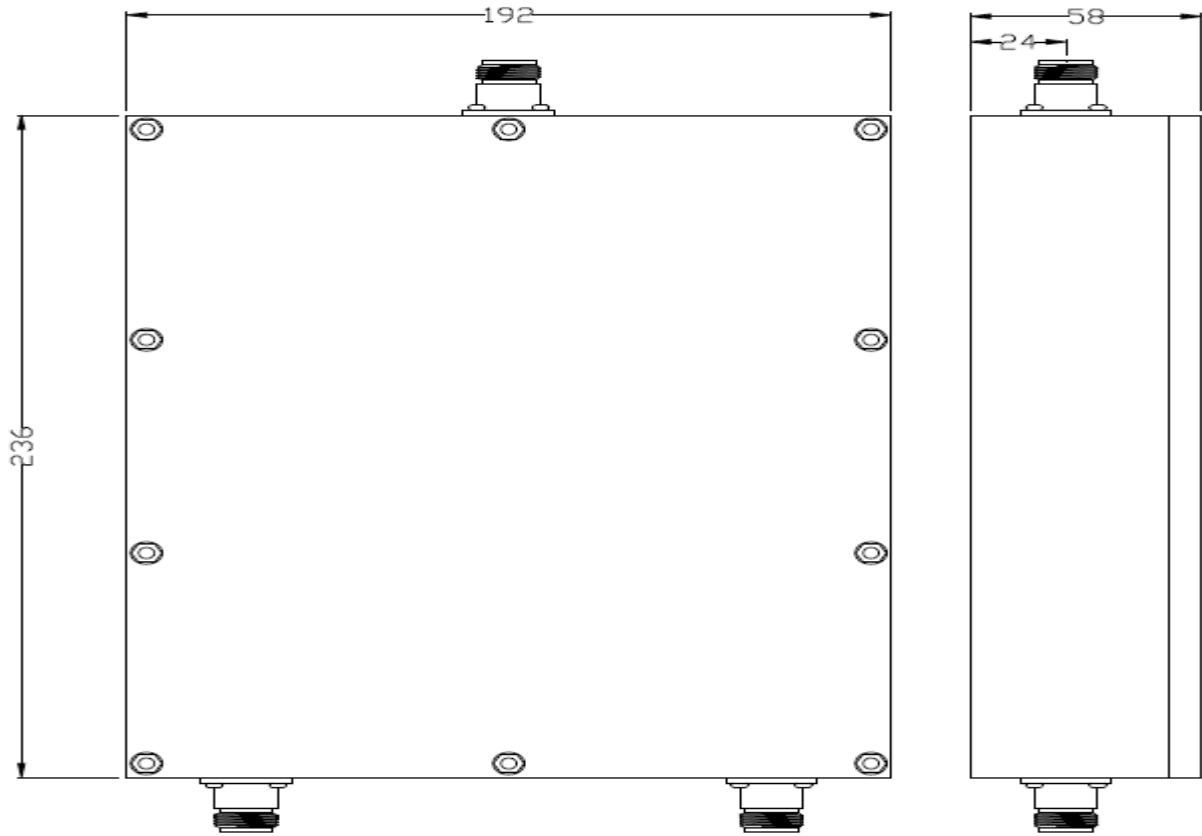
WE ALSO UNDERTAKE DESIGNS PER YOUR REQUIREMENT



LS Band Duplexer CSG 1162500 NXA

PARAMETERS	SPECIFICATION	
Ports	Channel CH 1	Channel CH 2
Frequency Band	1610 ~ 1626.5 MHz	2483.5 ~ 2500 MHz
Band Width	16.5 MHz	16.5 MHz
Insertion Loss	≤ 1.0 dB	≤ 1.0 dB
Band Ripple	≤ 0.8 dB	≤ 0.8 dB
Return loss	≥ 18	≥ 18
Isolation	≥ 90 dB @ CH 2	≥ 90 dB @ CH 1
Stop Band Attenuation	≥ 30 dB @ 1500 ~ 1605 MHz and 1631.5 ~ 1700 MHz	≥ 30 dB @ 2400 ~ 2478.5 MHz and 2505 ~ 2700 MHz
Power	≤ 100 Watt	
Impedance	50 Ω	
Connectors	N-Female	
Temperature	-40 ~ + 60 °C	
Operating Humidity	5 ~ 95 %	
Dimension (Approx)	236 × 192 × 85 mm	
Weight	3000 grams	
Environmental	IP 65	

Structure Drawing:



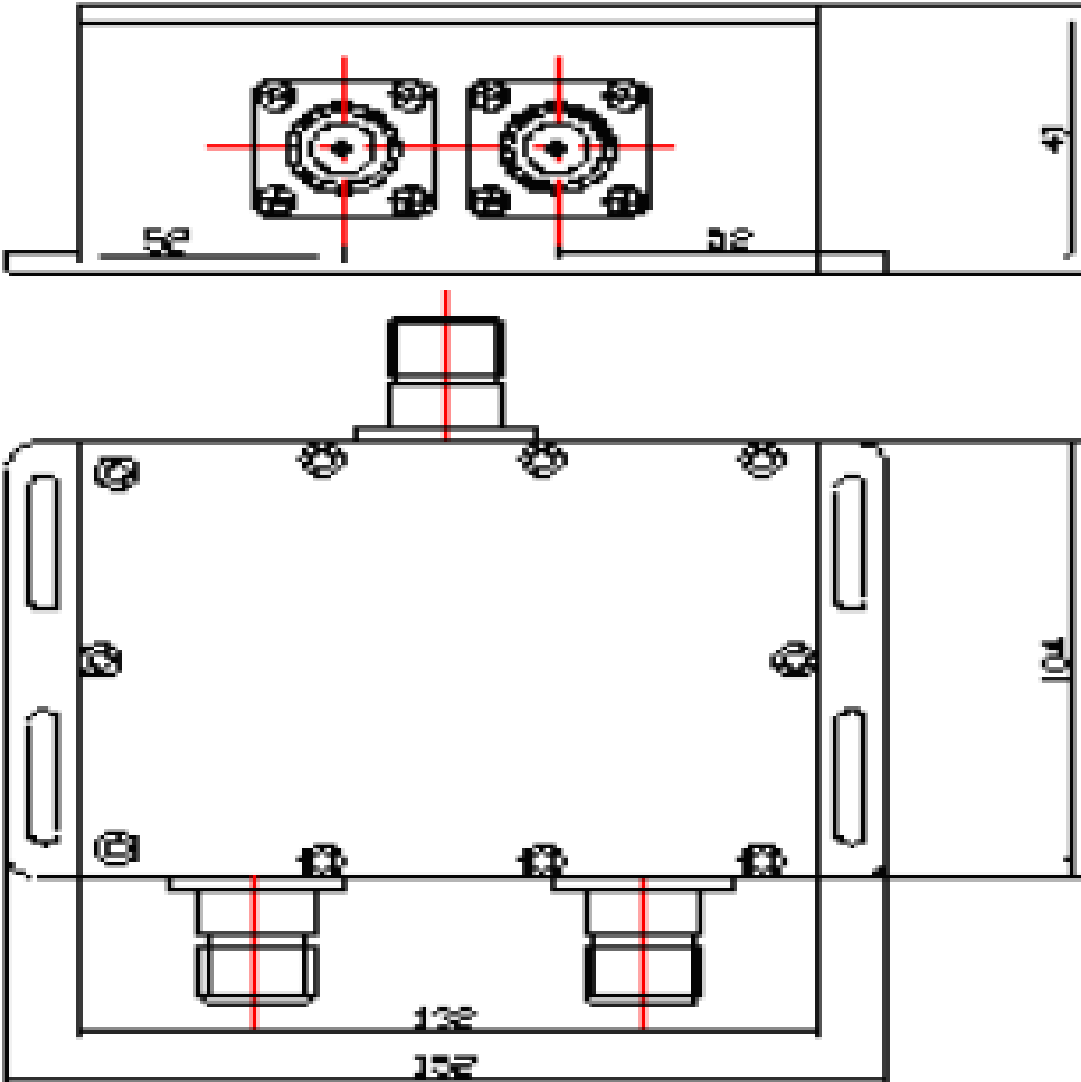
WE ALSO UNDERTAKE DESIGNS PER YOUR REQUIREMENT



S Band Duplexer CSG 12600 SNX

PARAMETERS	SPECIFICATION	
	Channel CH 1	Channel CH 2
Ports		
Frequency Band	2505 ~ 2535 MHz	2660 ~ 2690 MHz
Band Width	30 MHz	30 MHz
Insertion Loss	≤ 1.0 dB	≤ 1.0 dB
Band Ripple	≤ 0.3 dB	≤ 0.3 dB
Return loss	≥ 18	≥ 18
Isolation	≥ 90 dB @ CH 2	≥ 90 dB @ CH 1
Power Rating	≤ 100 Watt	
Impedance	50 Ω	
Connectors	N-Female	
Temperature	-25 ~ + 60 °C	
Operating Humidity	5 ~ 95 %	
Dimension (Approx)	41 × 132 × 104 mm	
Color	Black or Silver or Grey	
Weight	800 grams.	
Environmental	IP 65	

Structure Drawing:



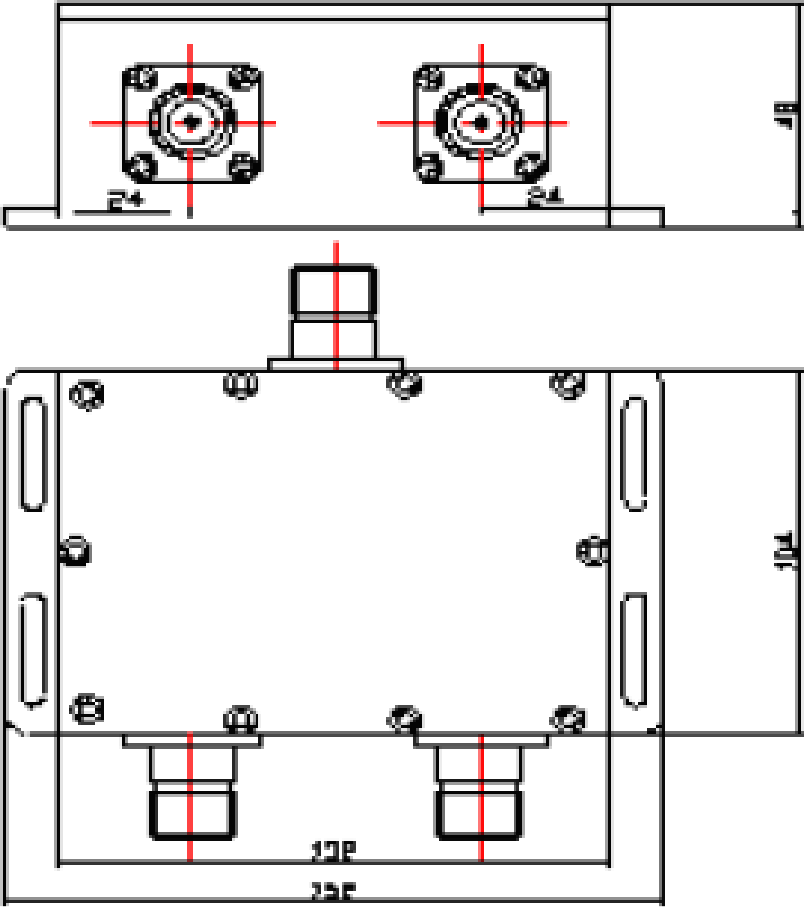
WE ALSO UNDERTAKE DESIGNS PER YOUR REQUIREMENT



L Band Duplexer CSG 11600 LNX

PARAMETERS	SPECIFICATION	
Ports	Channel CH 1	Channel CH 2
Frequency Band	1520 ~ 1650 MHz	1621 ~ 1661 MHz
Band Width	40 MHz	40 MHz
Insertion Loss	≤ 1.0 dB	≤ 1.0 dB
Band Ripple	≤ 0.3 dB	≤ 0.3 dB
Return loss	≥ 18	≥ 18
Isolation	≥ 90 dB @ CH 2	≥ 90 dB @ CH 1
Power	≤ 100 Watt	
Impedance	50 Ω	
Connectors	N-Female	
Temperature	-25 ~ + 60 °C	
Operating Humidity	5 ~ 95 %	
Color	Black or Silver grey	
Dimension (Approx)	48 × 132 × 104 mm	
Weight	800 grams	
Environmental	IP 65	

Structure Drawing:



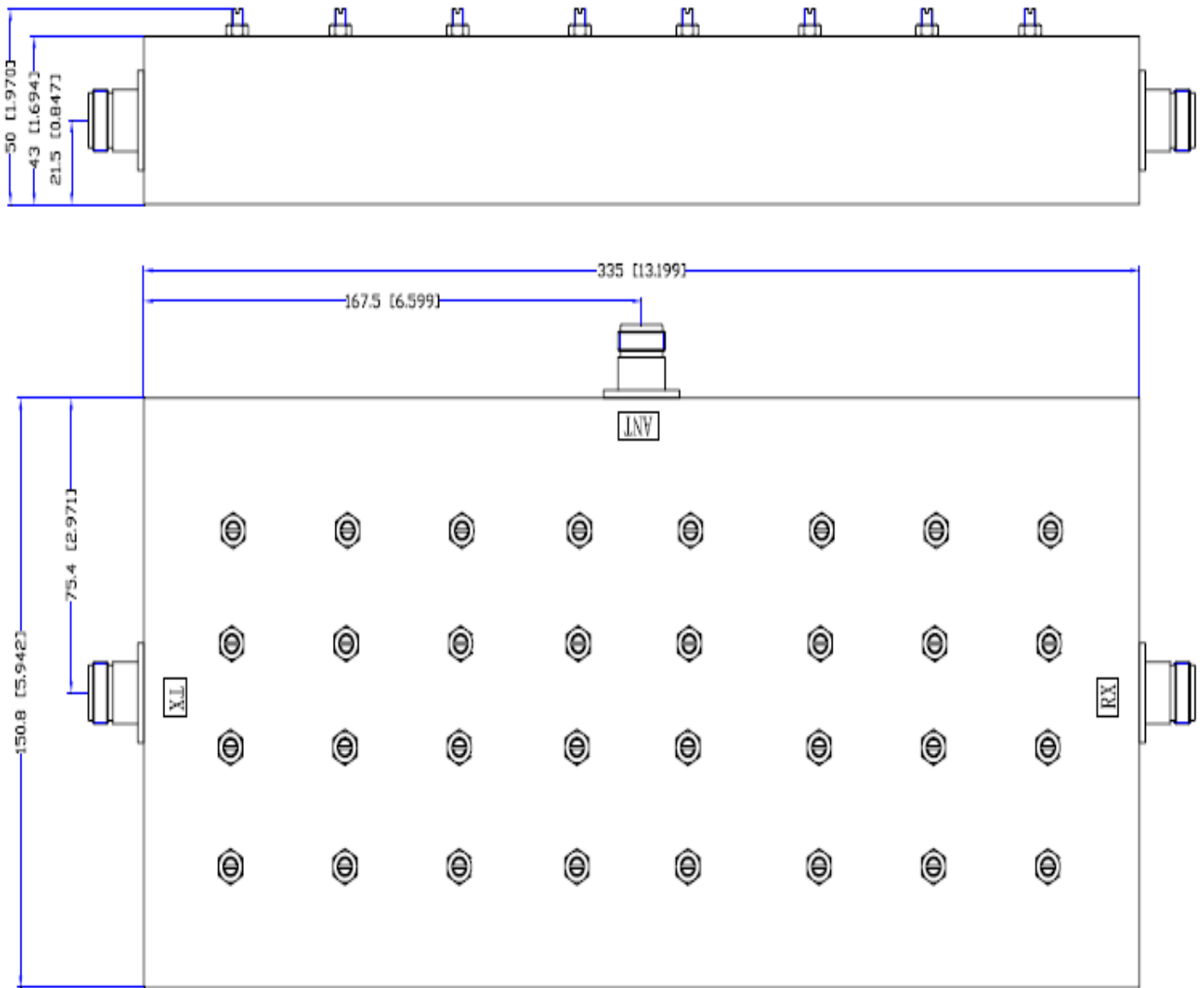
WE ALSO UNDERTAKE DESIGNS PER YOUR REQUIREMENT



EGSM/DCS Dual Band Duplexer CSG 1901800 NX

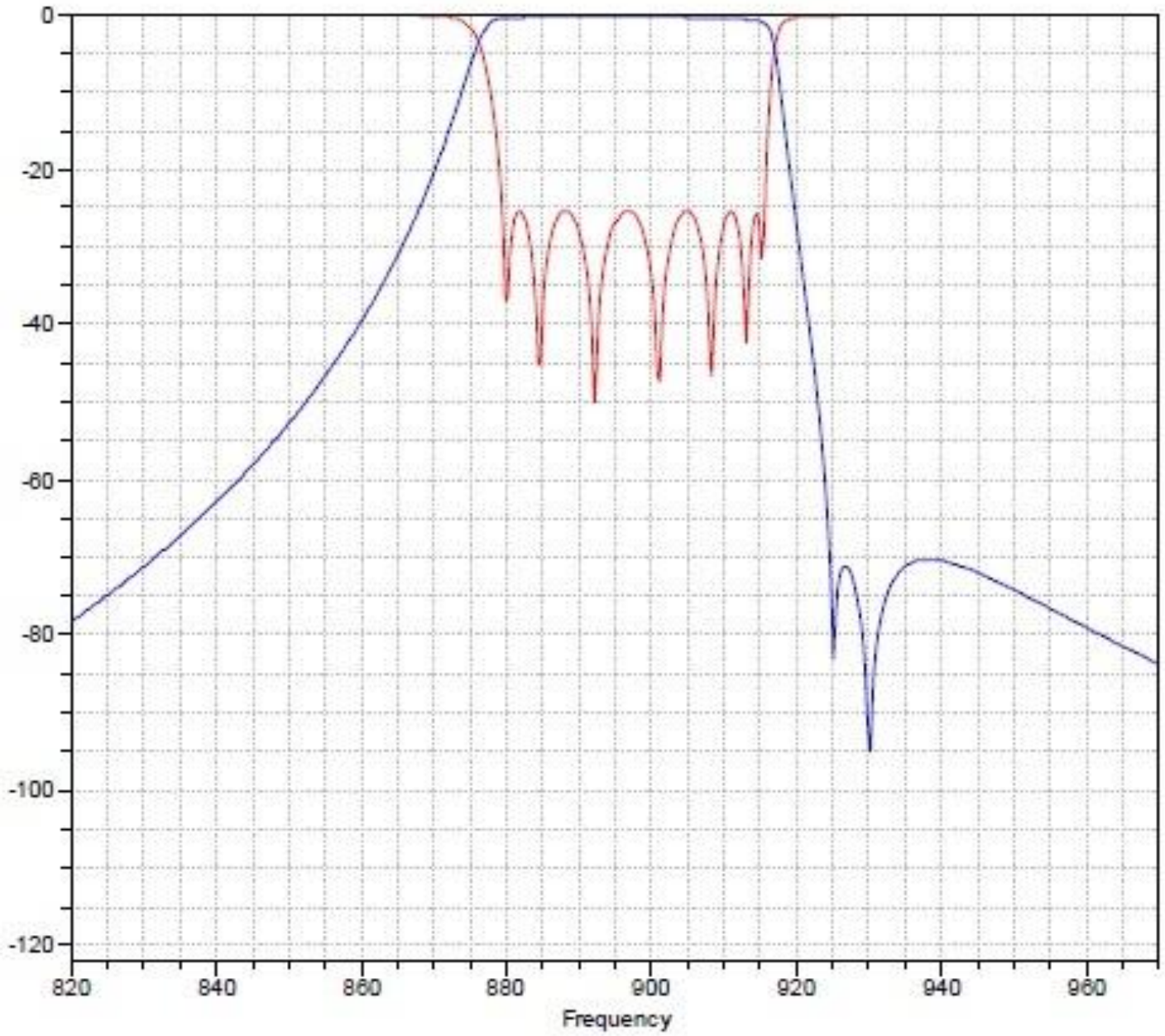
PARAMETERS	SPECIFICATION	
Ports	RX	TX
Frequency Band	880 ~ 915 MHz 1710 ~ 1785 MHz	925 ~ 960 MHz 1805 ~ 1880 MHz
Insertion Loss	EGSM: ≤ 1.2 dB DCS: ≤ 1.0 dB	
Band Ripple	≤ 0.8 dB	≤ 0.8 dB
Return loss	≤ -14 dB	≤ -14 dB
Rejection	≥ 50 dB @ DC ~ 845 MHz ≥ 50 dB @ 925 ~ 1630 MHz ≥ 50 dB @ 1805 ~ 2550 MHz	≥ 50 dB @ DC ~ 915 MHz ≥ 50 dB @ 995 ~ 1785 MHz ≥ 50 dB @ 1960 ~ 2550 MHz
Isolation	≥ 50 dB @ 880 ~ 915 MHz, 925 ~ 960 MHz ≥ 50 dB @ 1710 ~ 1785 MHz, 1805 ~ 1880 MHz	
Power Rating	100 Watt CW 1000 Watt Peak	
Impedance	50 Ω	
Connectors	N-Female	
Temperature	0 ~ + 50 °C	
Dimension (Approx)	355 × 150.8 × 50 mm	
Surface Finish	Black paint	

Structure Drawing:

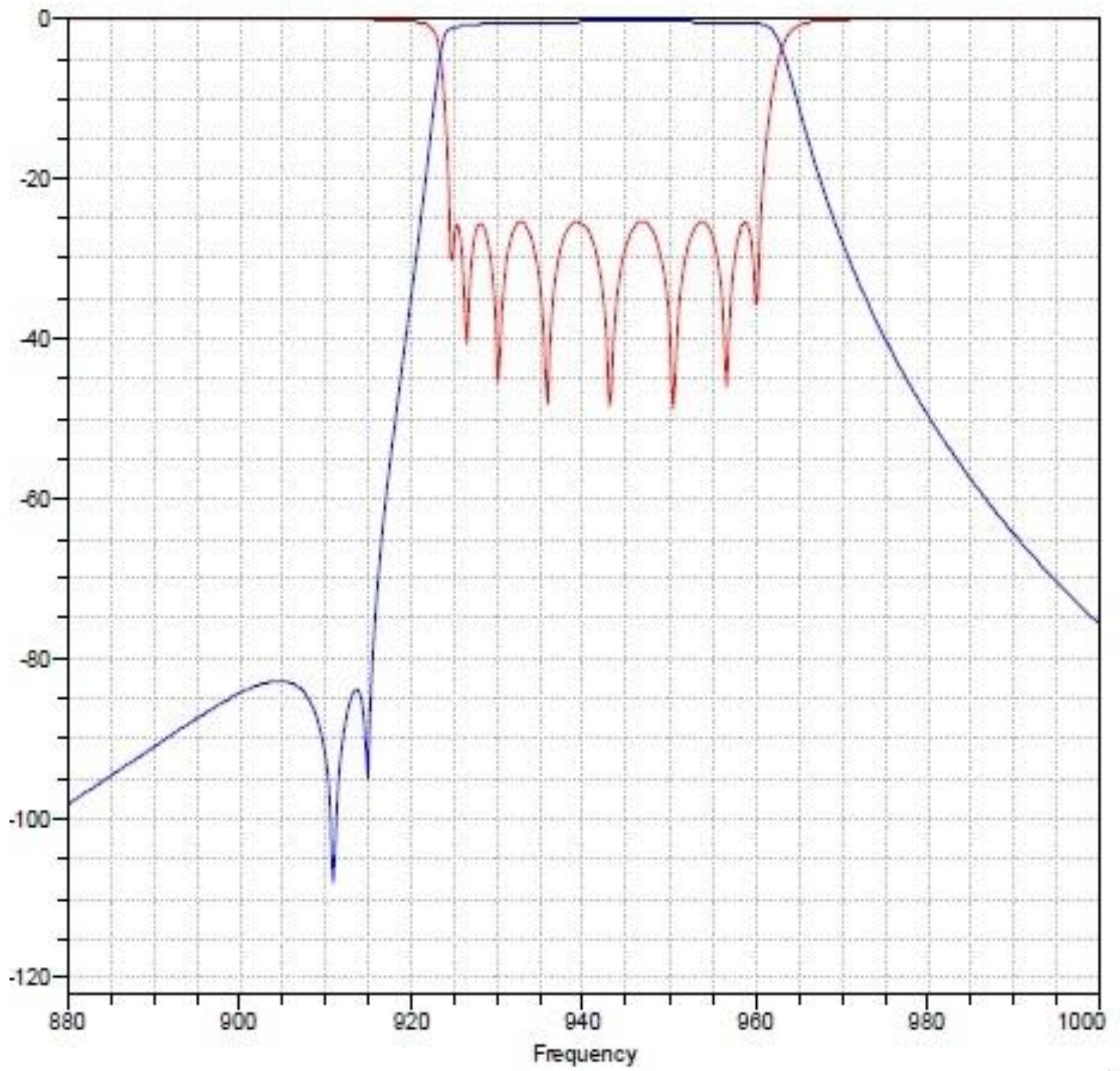


EGSM+DCS Dual Band Duplexer Simulation Plot :

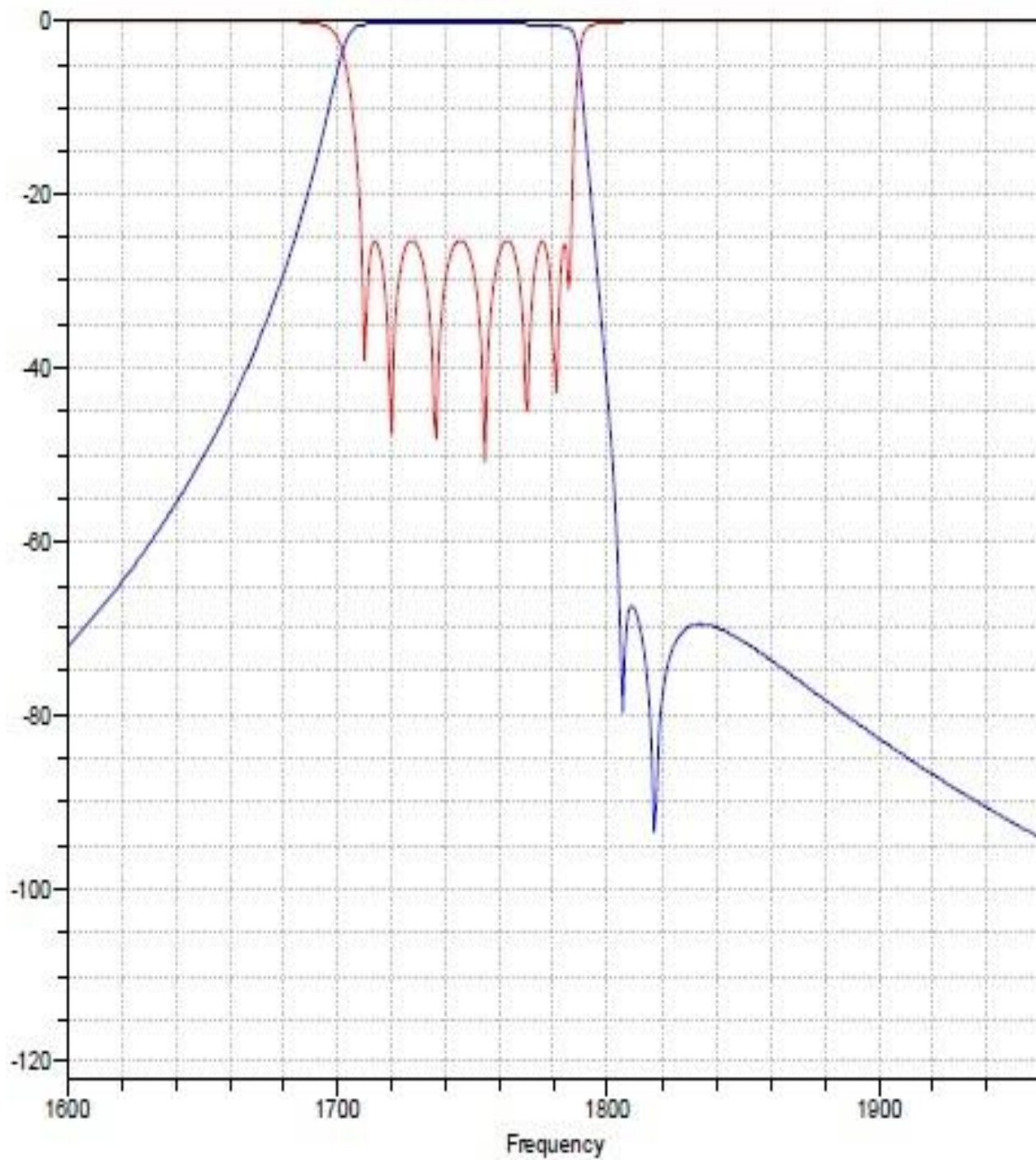
1. 880~915 MHz



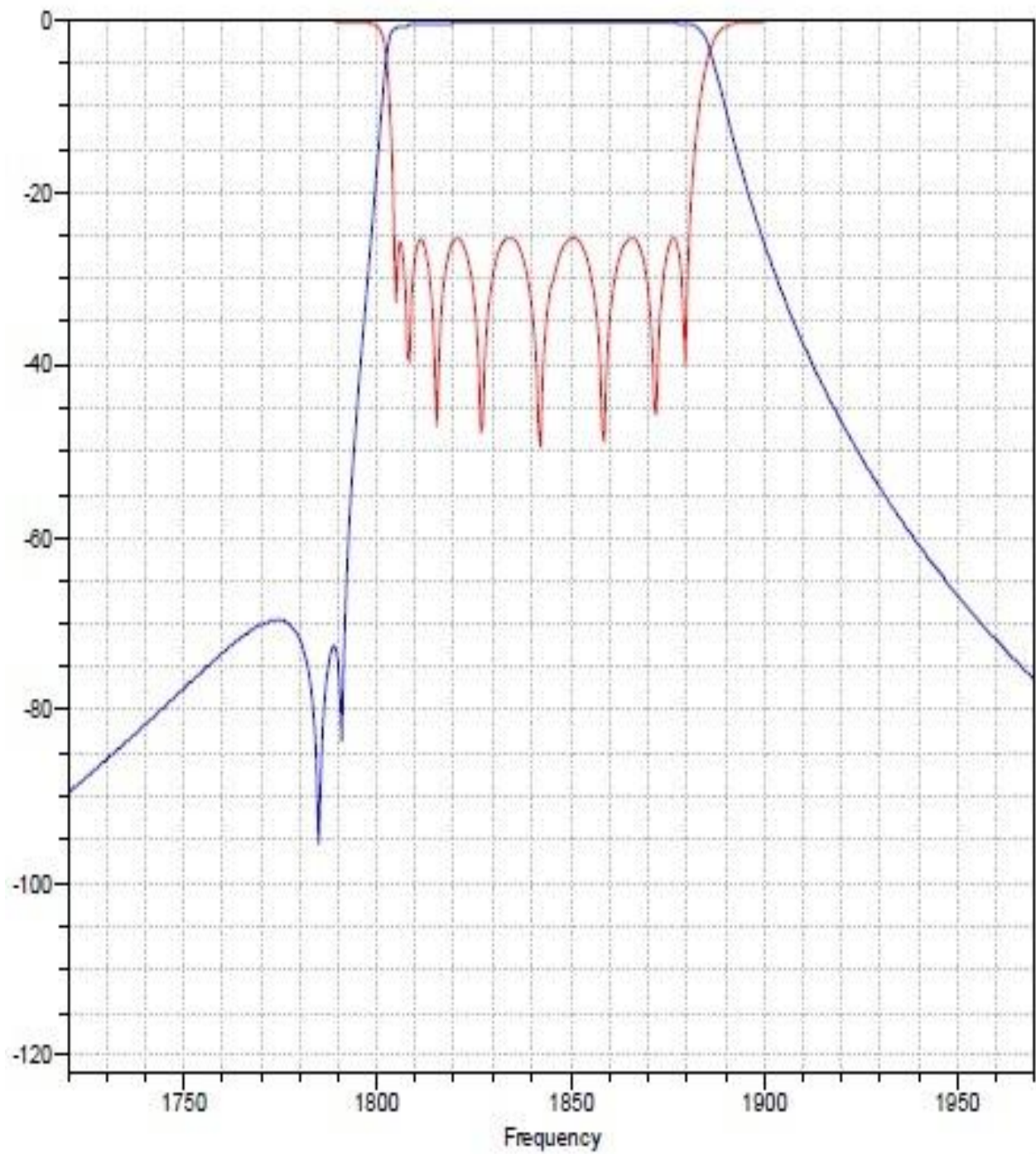
2. 925~960 MHz



3. 1710~1785 MHz



4. 1805~1880 MHz

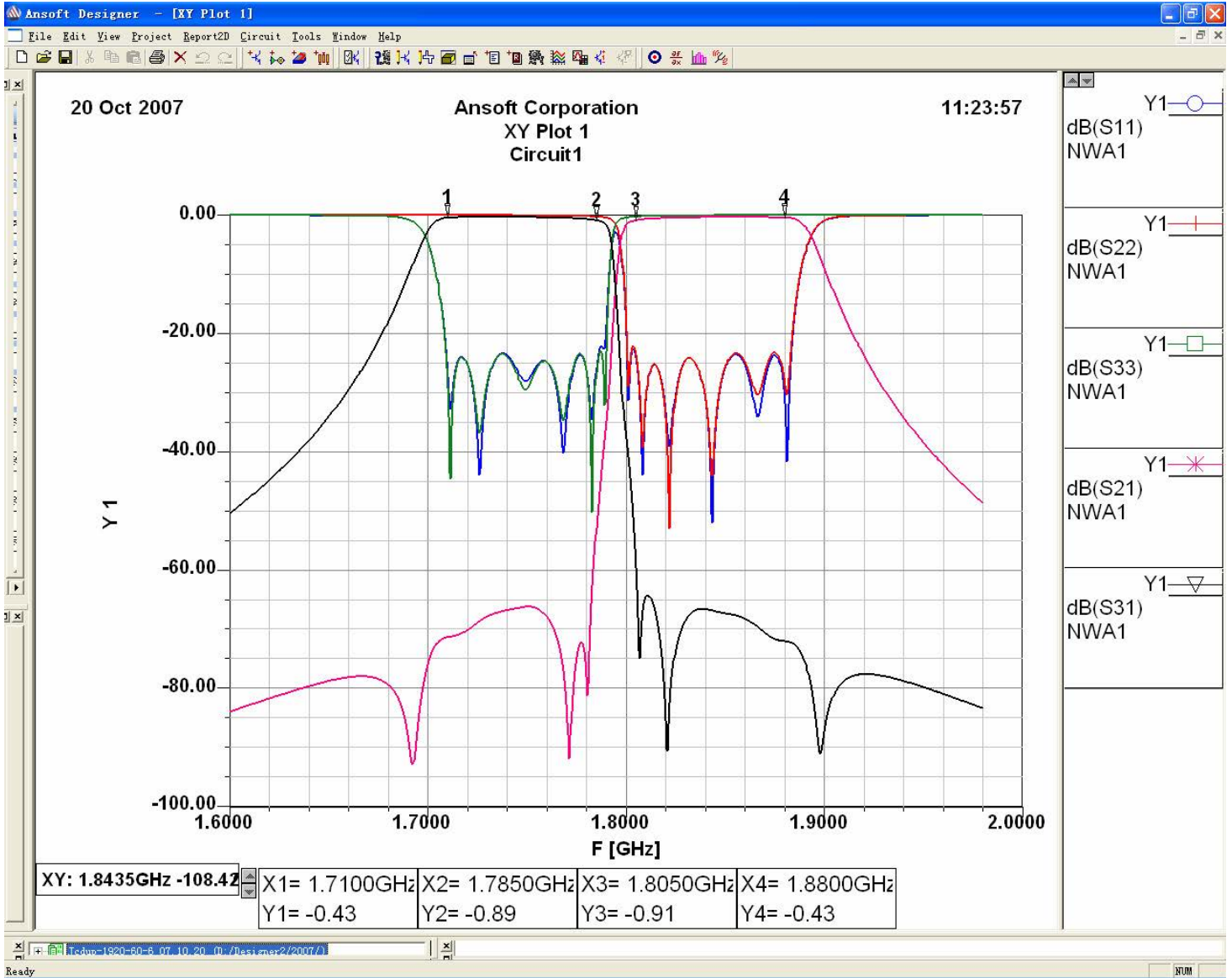


WE ALSO UNDERTAKE DESIGNS PER YOUR REQUIREMENT



DCS Duplexer CSG 11800 DN

PARAMETERS	SPECIFICATION	
Ports	RX	TX
Frequency Band	1710 ~ 1785 MHz	1805 ~ 1880 MHz
Band Width	75 MHz	75 MHz
Insertion Loss	1.0dB	1.0 dB
Band Ripple	0.8 dB	0.8 dB
Return loss	≥ 18	≥18
Isolation	≥50	≥50 dB
Input Power	100 Watt (Continuous)	
Impedance	50 Ω	
Connectors	N-Female	
Temperature	0 ~ 50 °C	
Dimension (Approx)	142 × 108 × 50 mm	



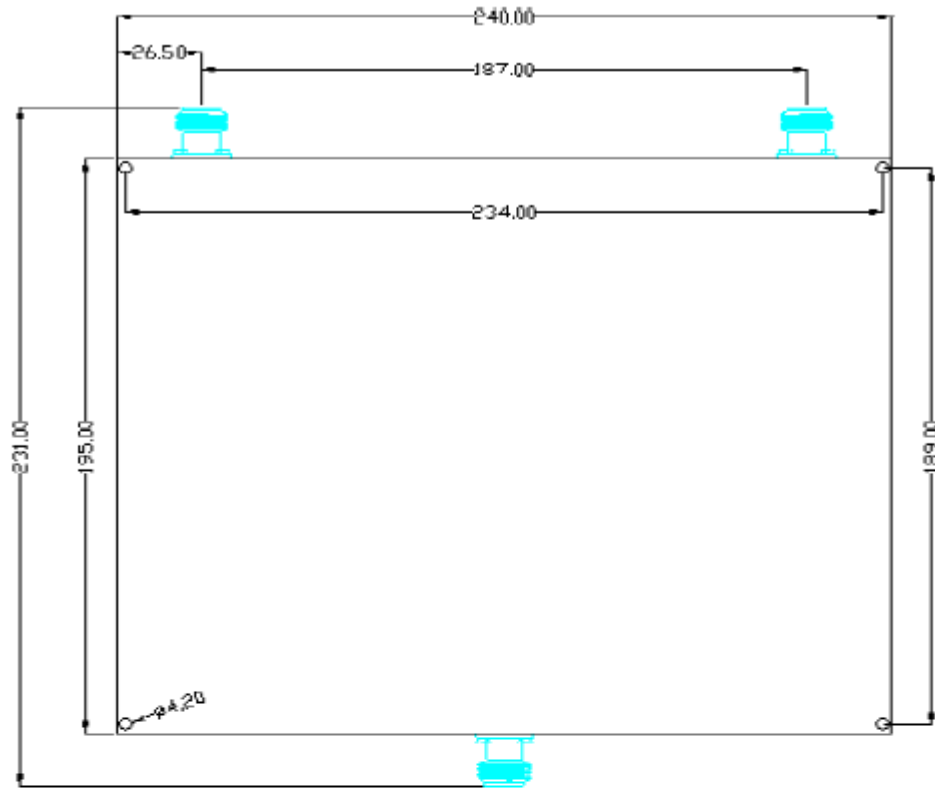
WE ALSO UNDERTAKE DESIGNS PER YOUR REQUIREMENT



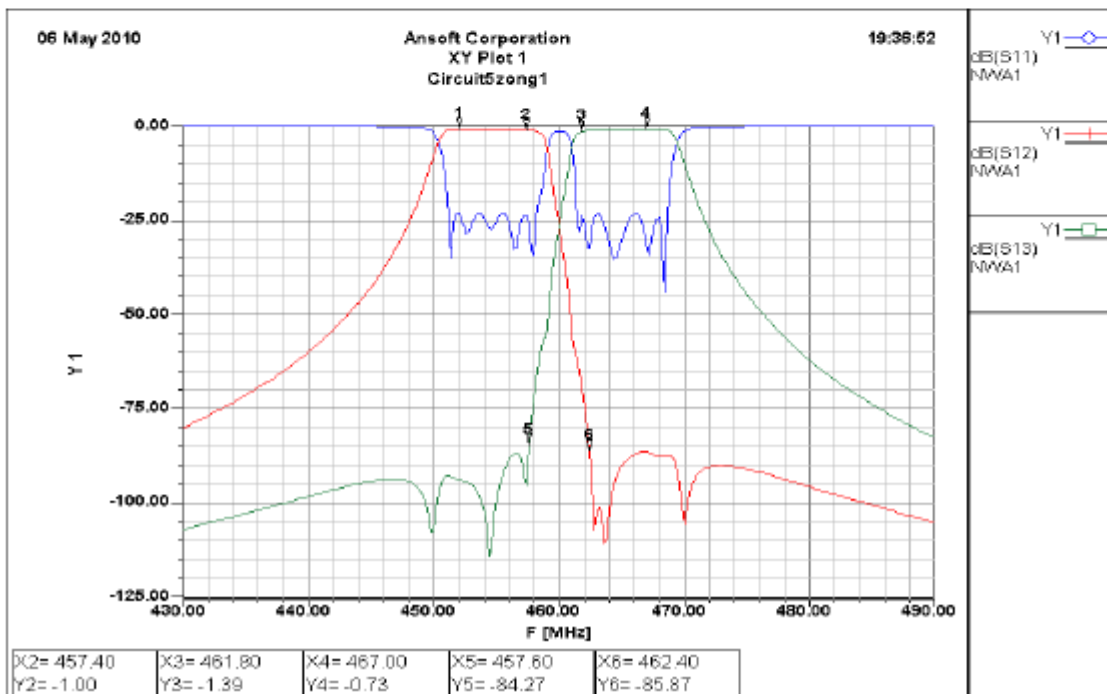
CDMA 450 MHz Duplexer CSG 1450 NX

PARAMETERS	SPECIFICATION	
Ports	Channel CH 1	Channel CH 2
Frequency Band	452.35 ~ 457.125 MHz	462.50 ~ 467.50 MHz
Band Width	4.775 MHz	5 MHz
Insertion Loss	≤ 1.5 dB	≤ 1.5 dB
Band Ripple	≤ 0.5 dB	≤ 0.5 dB
Return loss	≥ 18	≥ 18
Isolation	≥ 80 dB @ CH 2	≥ 80 dB @ CH 1
Power Rating	≤ 60 Watt	
Impedance	50 Ω	
Connectors	N-Female	
Temperature	-25 ~ + 55 °C	
Operating Humidity	5 ~ 95 %	
Dimension (Approx)	240 × 195 × 50 mm	
Color	Black or Light Grey	
Weight	3100 grams	

Structure Dimensions:



Test Plot:



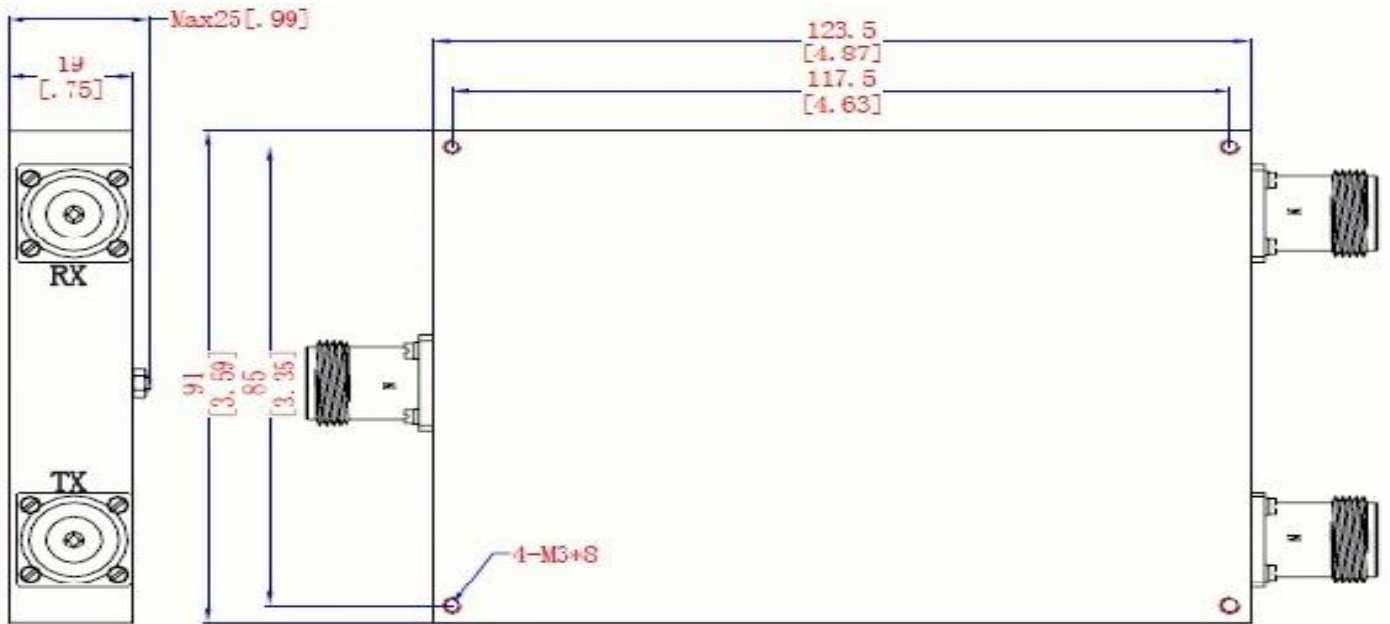
WE ALSO UNDERTAKE DESIGNS PER YOUR REQUIREMENT



7.0 GHz Duplexer CSG 178000 NX

PARAMETERS	SPECIFICATION	
Ports	RX	TX
Frequency Band	7250 ~ 7750 MHz	7900 ~ 8400 MHz
Band Width	500 MHz	500 MHz
Insertion Loss	≤ 0.6 dB	≤ 1.0 dB
Band Ripple	≤ 0.4 dB	≤ 0.6 dB
VSWR	≤ 1.25:1	≤ 1.25:1
Isolation	≥70 dB @ 7900 ~ 8400 MHz	≥70 dB @ 7250 ~ 7750 MHz
Power Rating	≤ 50 Watt	
Impedance	50 Ω	
Connectors	N-Female	
Temperature	-20 ~ + 65 °C	
Operating Humidity	5 ~ 95 %	
Dimension (Approx)	124 × 91 × 25 mm	
Weight	600 grams	

Structure Drawing:



Product Image:



WE ALSO UNDERTAKE DESIGNS PER YOUR REQUIREMENT