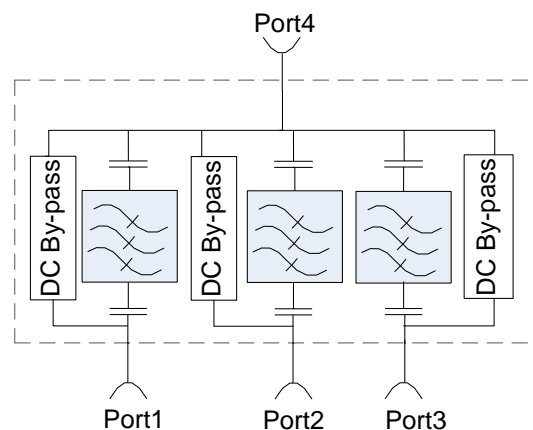
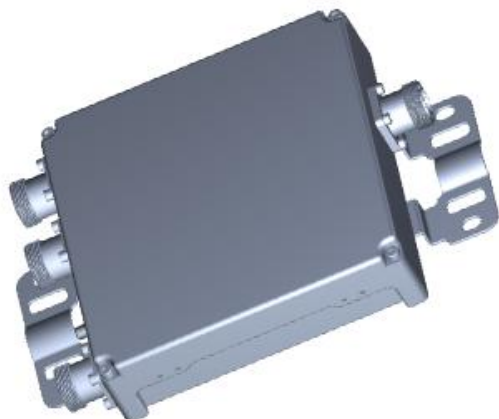




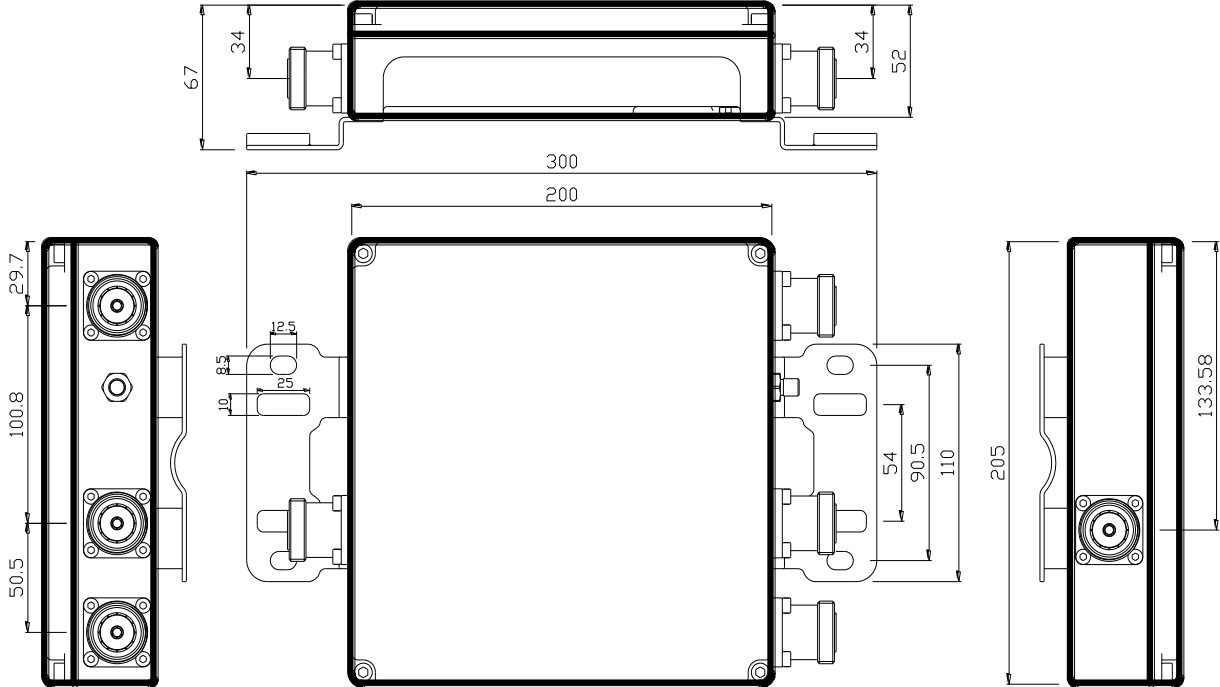
LTE700+GSM900 & DCS & 3G Triplexer / Combiner

Model: CSG-COMB-TRI-0721D

PARAMETERS	SPECIFICATION		
Ports	Port 1	Port 2	Port 3
Frequency Band	700 - 960 MHz	1710 - 1880 MHz	1920 – 2170 MHz
Insertion Loss	≤ 0.4 dB	≤ 0.3 dB	≤ 0.3 dB
Ripple	≤ 0.25 dB		
Return Loss	20 dB		
Isolation	≥ 50 dB		
Impedance	50 Ω		
Input Power	300 Watt (Avg.)		
PIM3	≤ -150dBc@2x43dBm		
DC / AISG	By-pass(max.2500 mA)		
Connectors	DIN-Female		
Temperature	-20 °C - + 55 °C		
Storage Temperature	-40 °C - + 85 °C		
Operating Humidity	5 - 95 %		
Application	Indoor Or Outdoor (IP67)		
Weight	3.8 Kg		
Dimension (Approx)	205 × 200 × 52 mm		



Outline Drawing:



WE ALSO UNDERTAKE DESIGNS PER YOUR REQUIREMENT

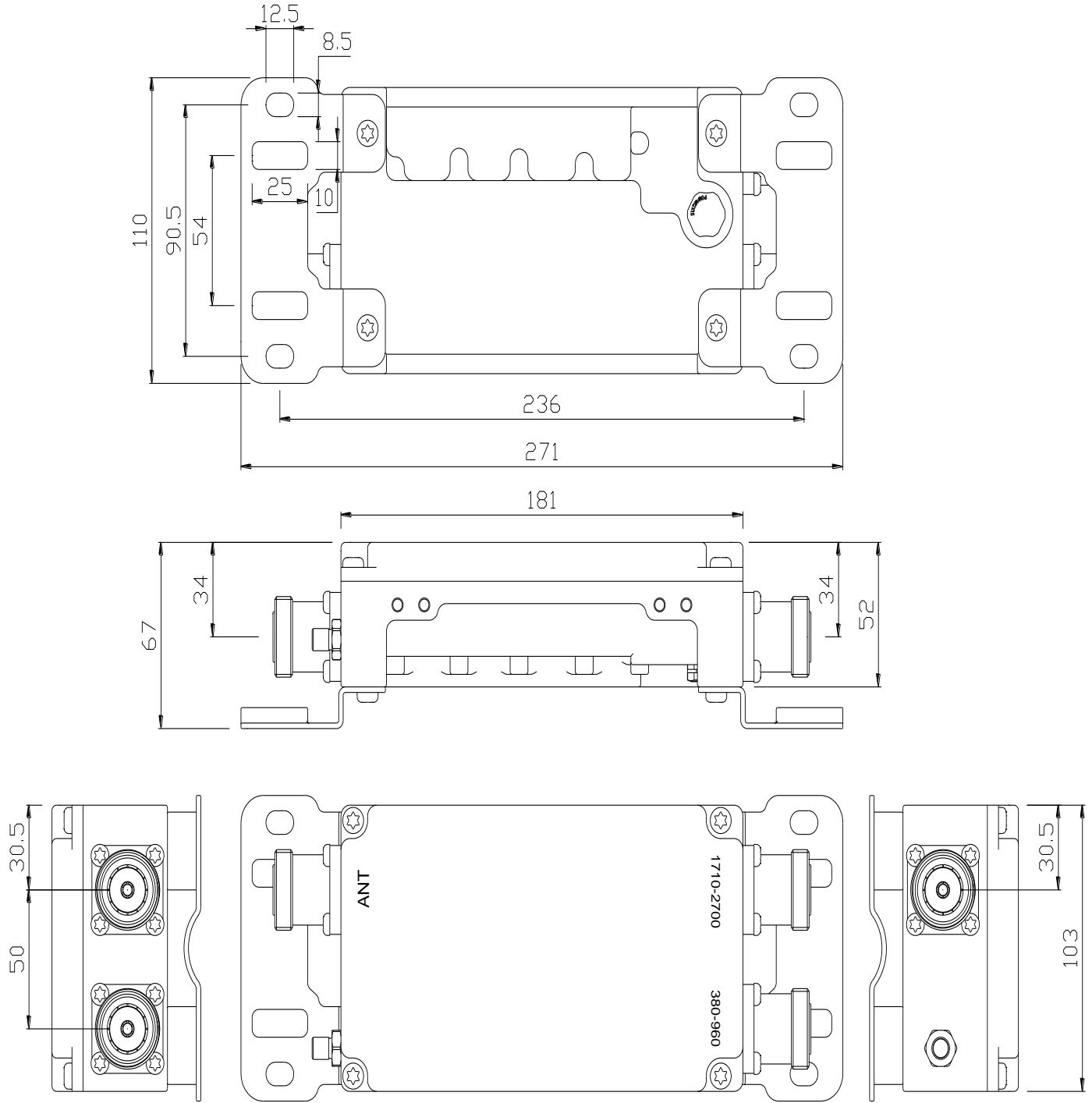


LTE700+GSM900 & DCS+3G Diplexer / Combiner Model: CSG-COMB-DIP-0721D

PARAMETERS	SPECIFICATION	
Ports	Port 1	Port 2
Frequency Band	700 - 960 MHz	1710 - 2170 MHz
Insertion Loss	≤ 0.3 dB	
Return Loss	≤ 20 dB	
Isolation	≥ 50 dB	
Impedance	50 Ω	
Input Power	300 Watt (Avg.)	
PIM3	-150dBc@2x43dBm	
DC / AISG	DC Path thru each port to Ant. Rated at 3A Max.	
Lightning Protection	3KA : 10/350 μs pulse	
Connectors	DIN-Female	
Temperature	-40 °C ~ + 60 °C	
Operating Humidity	5 ~ 95 %	
Application	IP66	
Weight	1.3 Kg	
Dimension (Approx)	178 × 100 × 50 mm	



Outline Drawing:



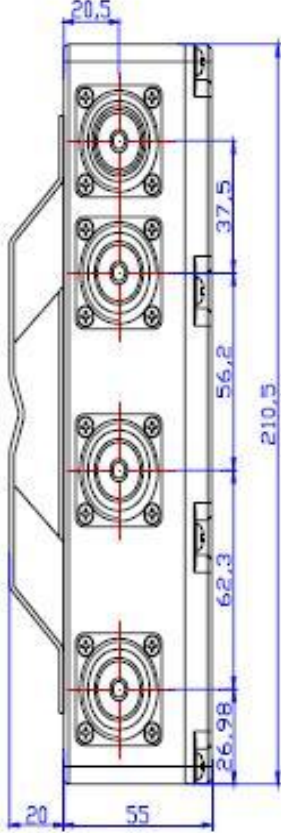
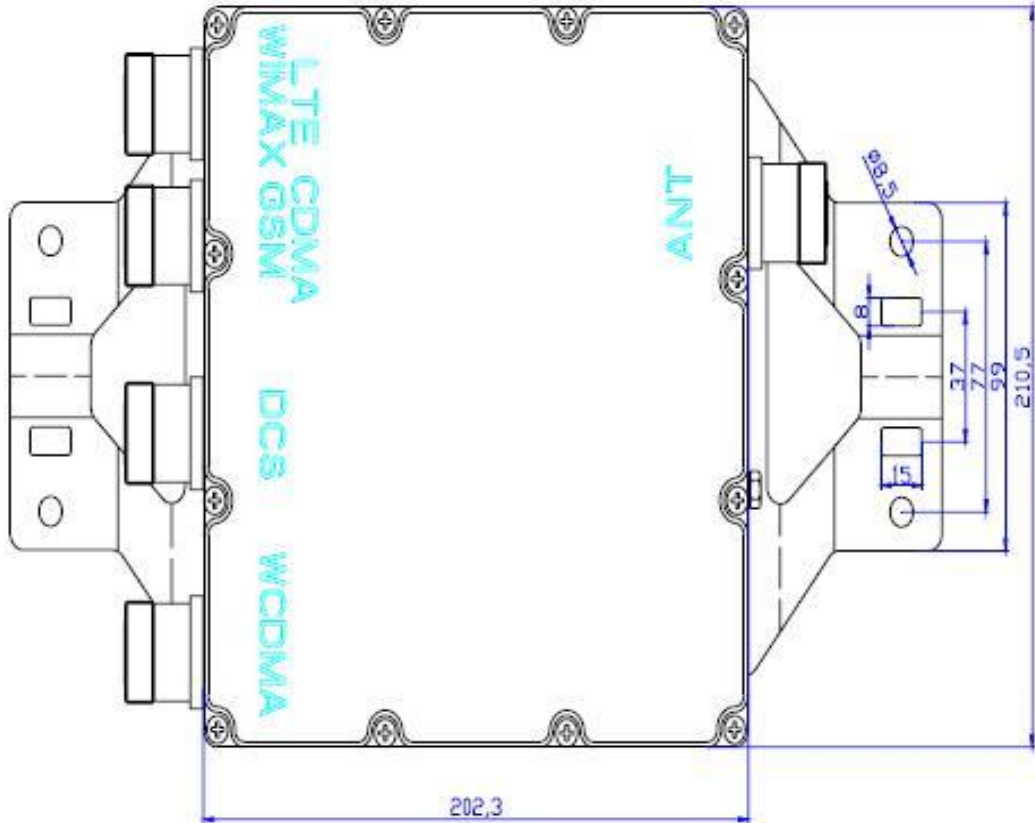
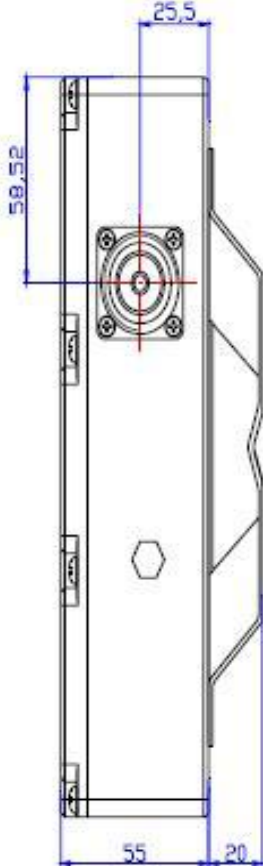
WE ALSO UNDERTAKE DESIGNS PER YOUR REQUIREMENT



CDMA & GSM/DCS/UMTS/LTE Quadplexer CSG 182690 CG-D-U-LTE-QDIN

PARAMETERS	SPECIFICATION			
	CDMA/GSM	DCS	WCDMA	LTE
Frequency Band	806 ~ 960 MHz	1710 ~ 1880 MHz	1920 ~ 2170 MHz	2500 ~ 2700 MHz
Insertion Loss	≤ 0.2 dB	≤ 0.5 dB	≤ 0.5 dB	≤ 0.5 dB
Band Ripple	≤ 0.4 dB	≤ 0.4 dB	≤ 0.4 dB	≤ 0.4 dB
Isolation	70dB@1710~1880 MHz 70dB@2110~2170 MHz 70dB@2500~2690 MHz	70dB@806~960 MHz 65dB@2110~2170 MHz 70dB@2500~2690 MHz	70dB@806~960 MHz 65dB@1710~1880 MHz 70dB@2500~2690 MHz	70dB@806~960 MHz 65dB@1710~1880 MHz 65dB@2110~2170 MHz
VSWR	≤1.3:1			
PIM3	≤-150dBc@2x43dB			
Power	≥ 250 Watt			
Impedance	50 Ω			
Connectors	DIN-Female			
Temperature	-25 ~ + 60 °C			
Operating Humidity	5 ~ 95 %			
DC Pass	All Ports DC Pass			
Dimension	210 x 202 x 55 mm			
Weight	3000 grams			
Environmental	IP 68			

Structure Drawing:



Product Image:



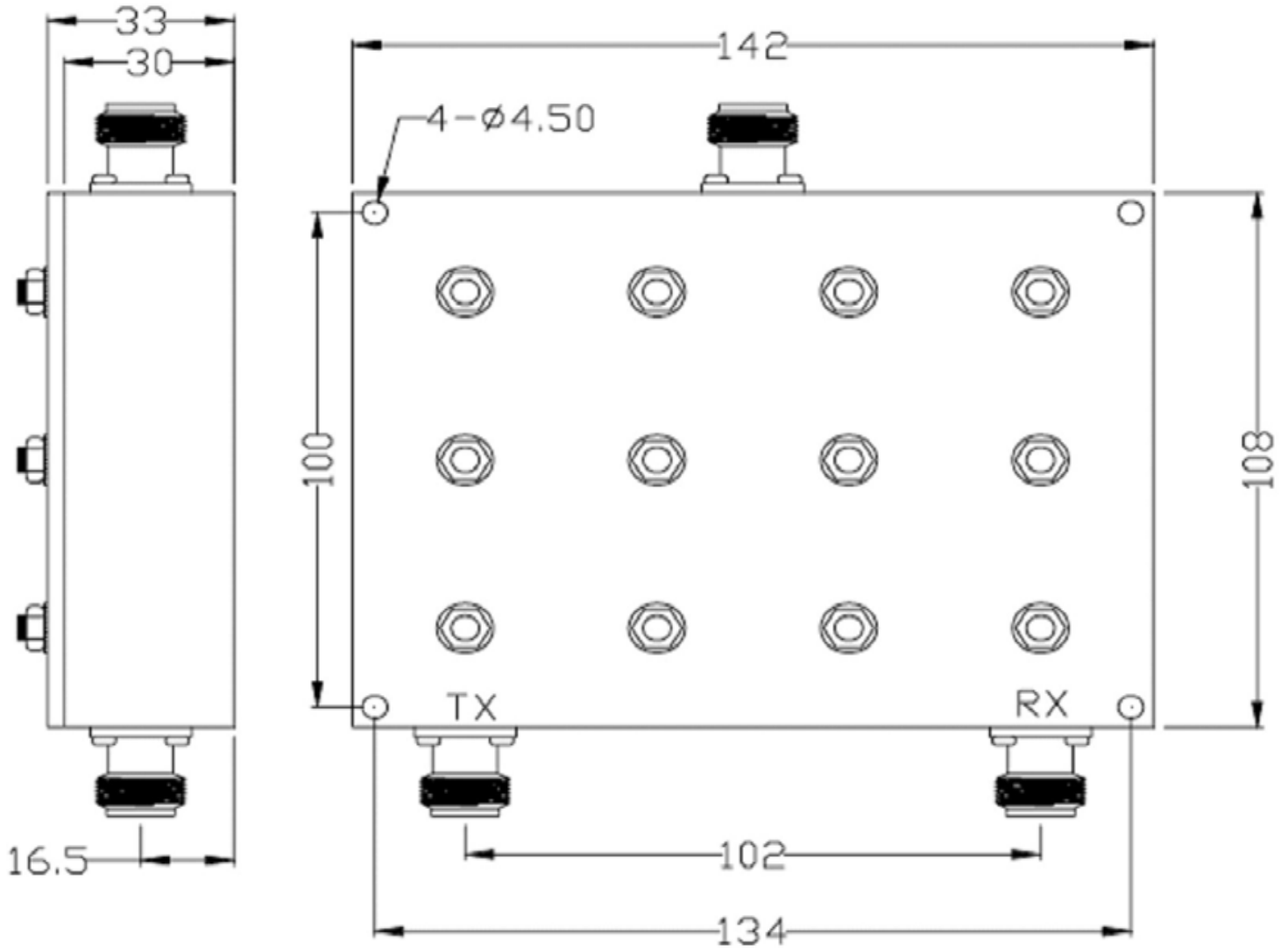
WE ALSO UNDERTAKE DESIGNS PER YOUR REQUIREMENT



LTE Duplexer CSG 1252600 NX

PARAMETERS	SPECIFICATION	
	RX	TX
Ports		
Frequency Band	2500 ~ 2570 MHz	2620 ~ 2690 MHz
Band Width	70 MHz	70 MHz
Insertion Loss	≤ 1.2 dB	≤ 1.2 dB
Band Ripple	≤ 0.4 dB	≤ 0.4 dB
Return loss	≥ 18	≥ 18
Isolation	≥ 90 dB @ TX	≥ 90 dB @ RX
Power Rating	≤ 100 Watt	
Impedance	50 Ω	
Connectors	N-Female	
Temperature	-25 ~ + 65 °C	
Operating Humidity	5 ~ 95 %	
Dimension (Approx)	33 × 142 × 108 mm	
Weight	950 grams	

Structure Drawing:



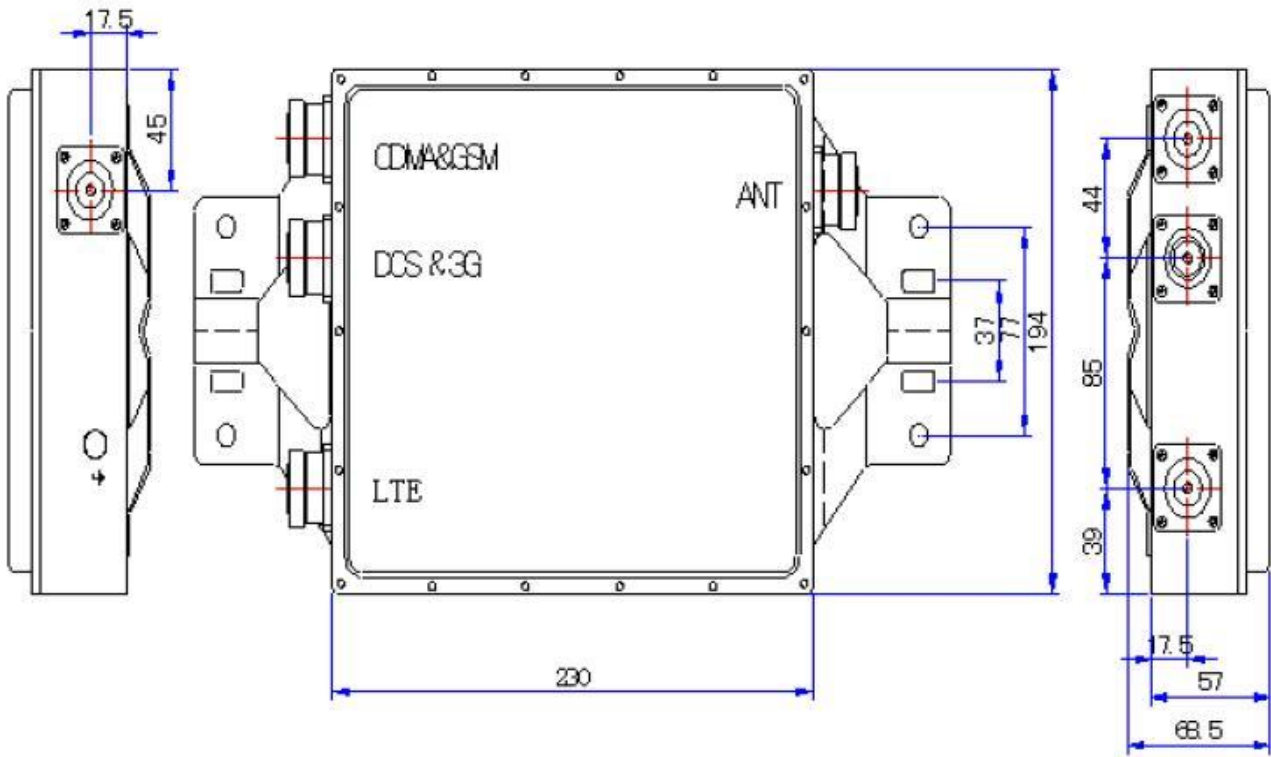
WE ALSO UNDERTAKE DESIGNS PER YOUR REQUIREMENT



CDMA&GSM/DCS&UMTS/LTE Triplexer CSG 182690CG-DU-LTE-TDIN

PARAMETERS	SPECIFICATION		
	CDMA/GSM	DCS/UMTS	LTE
Port			
Frequency Band	806 ~ 960 MHz	1710 ~ 1880 MHz	2500 ~2700 MHz
Insertion Loss	≤ 0.2 dB	≤ 0.5 dB	≤ 0.5 dB
Band Ripple	≤ 0.4 dB	≤ 0.4 dB	≤ 0.4 dB
Isolation	70dB@1710~2170MHz 70dB@2300~2690MHz	70dB@806~960 MHz 65dB@2300~2690 MHz	70dB@806~960 MHz 65dB@1710~2170 MHz
VSWR	≤1.3:1		
PIM3	≤-150dBc@2x43dBm		
Power	≥ 250 Watt		
Impedance	50 Ω		
Connectors	DIN-Female		
Dimension	230 x 194 x57 mm		
Temperature	-25 ~ + 60 °C		
Operating Humidity	5 ~ 95 %		
DC Pass	All Ports DC Pass		
Weight	2500 grams		
Environmental	IP 66		

Structure Drawing:



Product Image:



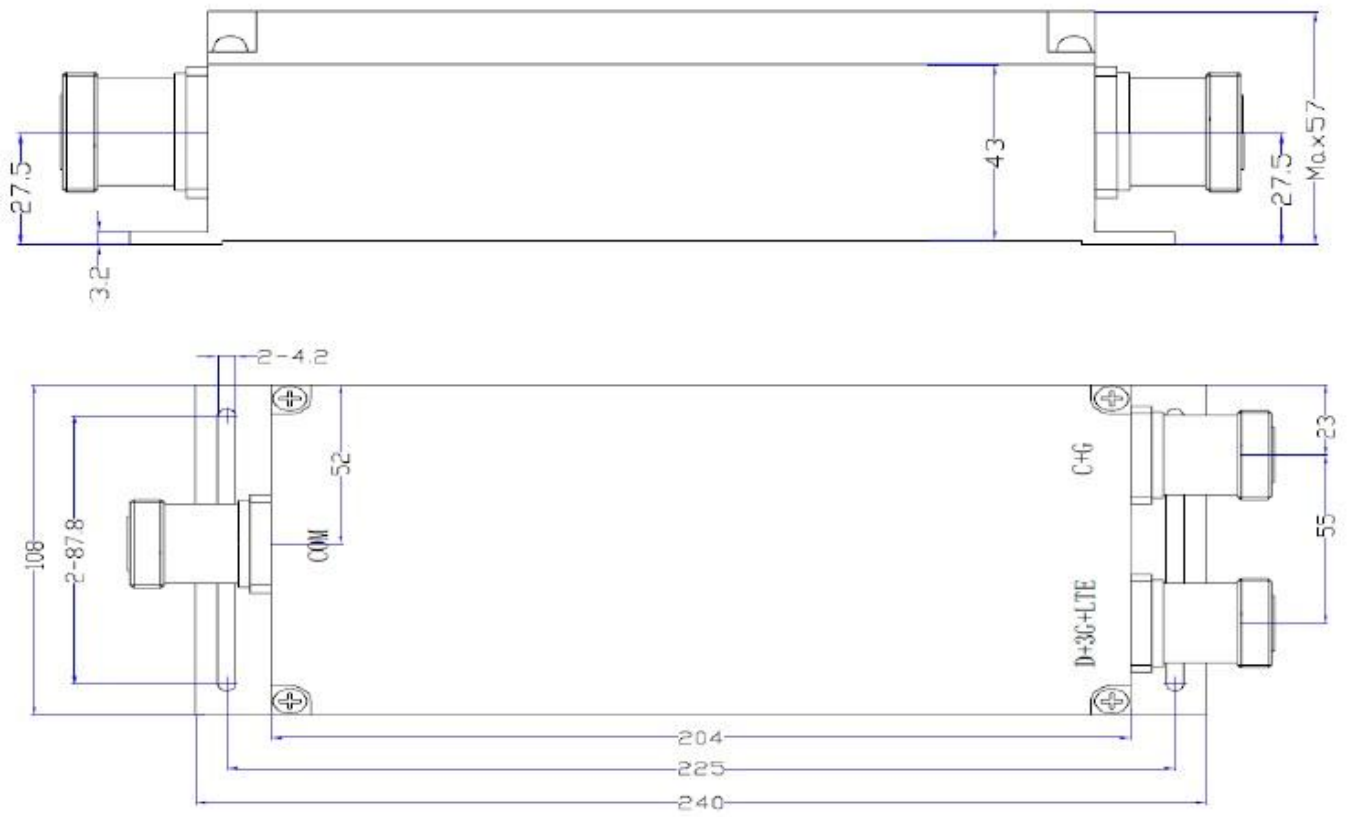
WE ALSO UNDERTAKE DESIGNS PER YOUR REQUIREMENT



CDMA/GSM & DCS/3G/LTE Dual Band Diplexer CSG 18260 CG-DULTE-DDIN

PARAMETERS	SPECIFICATION		
Ports	Port 1 (CDMA & GSM)	Port 2 (DCS & 3G & LTE)	
Frequency Band	832 ~ 960 MHz	1710 ~ 2170 MHz	2300 ~ 2690 MHz
Insertion Loss	≤ 0.3 dB	≤ 0.3 dB	≤ 0.5 dB
Band Ripple	≤ 0.2 dB	≤ 0.2 dB	≤ 0.3 dB
VSWR	$\leq 1.3:1$	$\leq 1.3:1$	$\leq 1.3:1$
Isolation	≥ 80 dB@1710~2170MHZ ≥ 80 dB@2300~2690MHZ	≥ 80 dB@832~960MHZ	
PIM3	≤ -140 dBc@2x43dBm		
Power	≤ 200 Watt		
Impedance	50 Ω		
Connectors	DIN Female		
Temperature	-25 ~ + 60 °C		
Operating Humidity	5 ~ 95 %		
Dimension (Approx)	204 × 108 × 57 mm		
Weight	1500 grams		
Environmental	IP 66		

Structure Drawing:



Product Image:



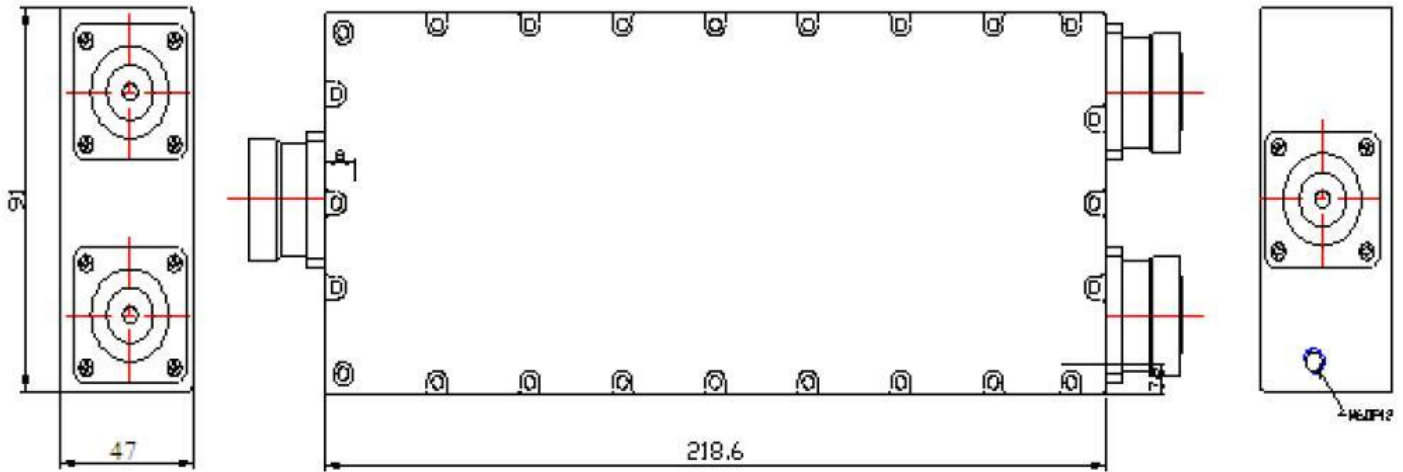
WE ALSO UNDERTAKE DESIGNS PER YOUR REQUIREMENT



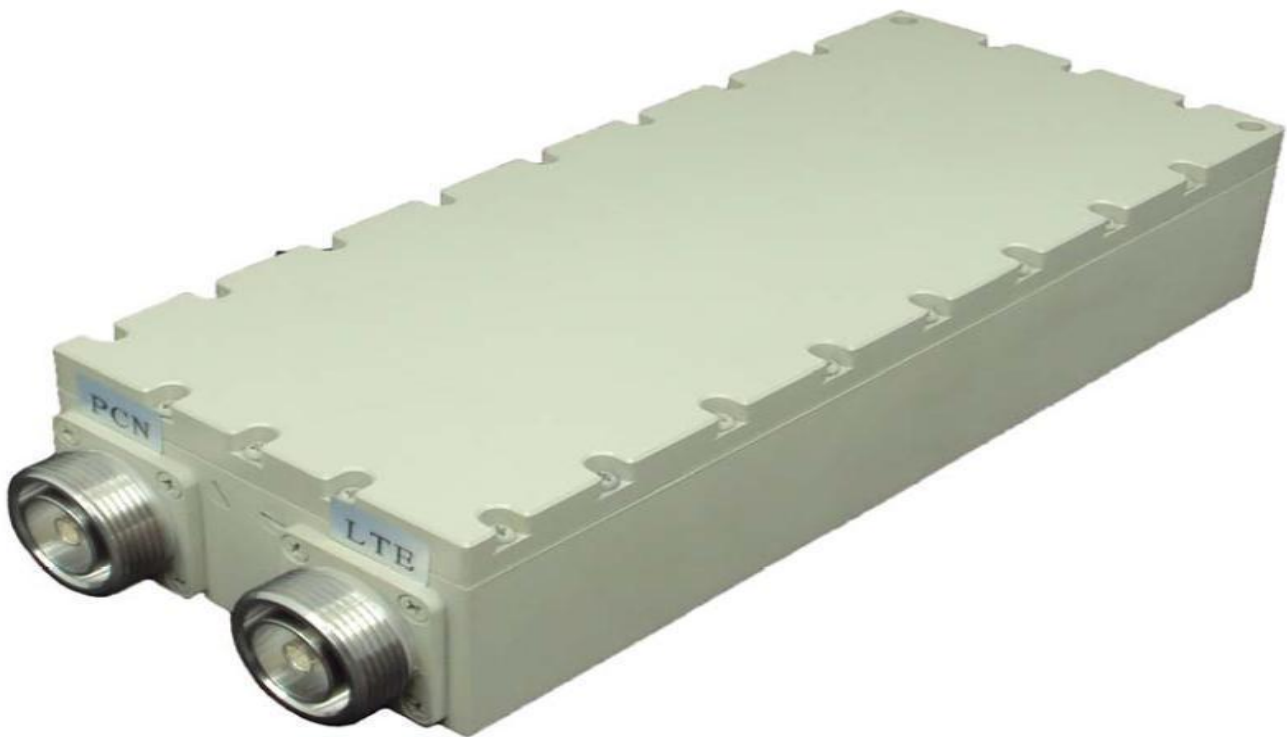
PCN & LTE Dual Band Diplexer CSG 171270 PCN-LTE-DDIN

PARAMETERS	SPECIFICATION	
Ports	PCN	LTE
Frequency Band	1710 ~ 1880 MHz	2500 ~ 2700 MHz
Insertion Loss	≤ 0.2 dB	≤ 0.2 dB
Band Ripple	≤ 0.2 dB	≤ 0.2 dB
VSWR	≤1.3:1	≤1.3:1
Isolation	≥80 dB @ 2500 ~ 2700 MHz	≥80 dB @ 1710 ~ 1880 MHz
PIM3	≤-150dBc@2x43dBm	
Power Rating	≥300 Watt	
Impedance	50 Ω	
Connectors	DIN-Female	
Temperature	-20 ~ + 65 °C	
Operating Humidity	5 ~ 95 %	
Dimension (Approx)	218.6 × 91 × 47 mm	
Color	Black or Light Grey	
Weight	2500 grams	
Environmental	IP 65	

Structure Drawing:



Product Image:



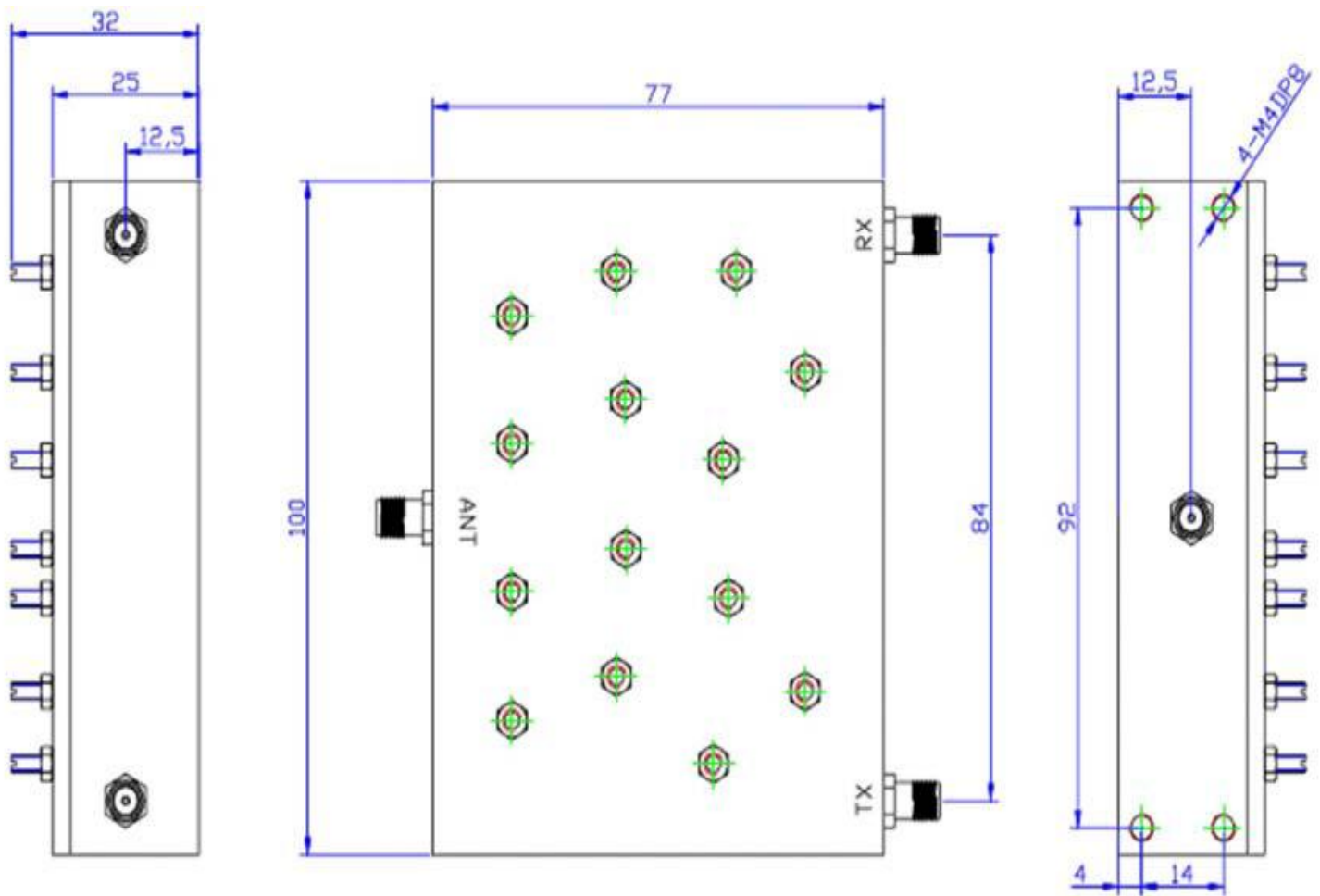
WE ALSO UNDERTAKE DESIGNS PER YOUR REQUIREMENT



LTE Duplexer CSG 1252600 SXA

PARAMETERS	SPECIFICATION	
Ports	RX	TX
Frequency Band	2500 ~ 2570 MHz	2620 ~ 2690 MHz
Band Width	70 MHz	70 MHz
Insertion Loss	≤ 0.8 dB	≤ 0.8 dB
Band Ripple	≤ 0.6 dB	≤ 0.6 dB
Return loss	≥ 18	≥ 18
Isolation	≥ 75 dB @ TX	≥ 75 dB @ RX
Power Rating	≤ 50 Watt	
Impedance	50 Ω	
Connectors	SMA-Female	
Temperature	-25 ~ + 65 °C	
Operating Humidity	5 ~ 95 %	
Dimension (Approx)	25 × 100 × 77 mm	
Weight	500 grams	

Structure Drawing:



WE ALSO UNDERTAKE DESIGNS PER YOUR REQUIREMENT