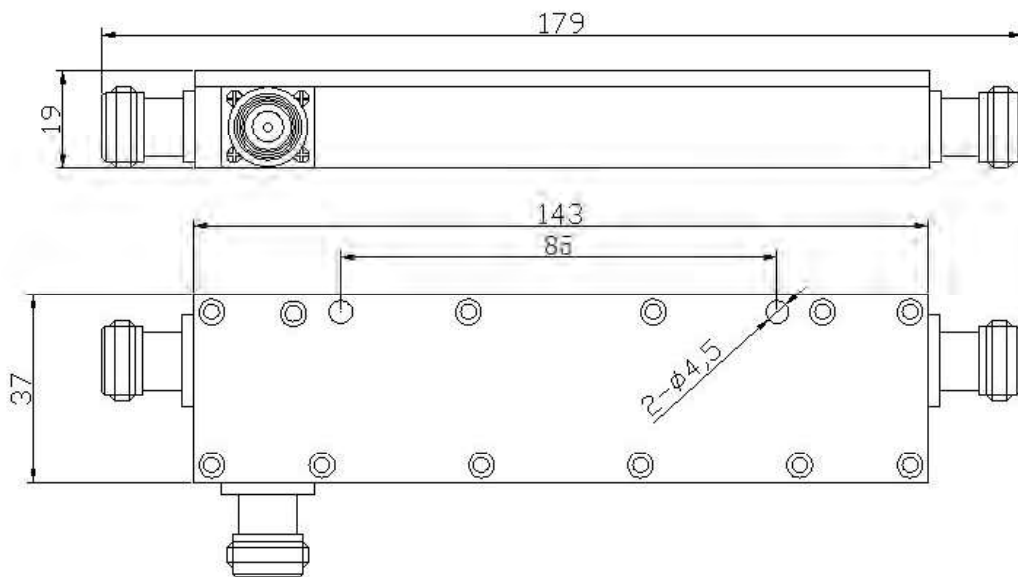


VHF Directional Coupler

Model: CSG313174DC-XX

Part Number	CSG313174DC-06	CSG313174DC-10	CSG313174DC-15	CSG313174DC-20	CSG313174DC-30
Frequency	136-174MHz				
Coupling Value	6 ± 1.0 dB	10 ± 1.2 dB	15 ± 1.2 dB	20 ± 1.5 dB	30 ± 1.5 dB
Insertion Loss	2.0 dB	1.0 dB	0.4 dB	0.3 dB	0.3 dB
Isolation	≥ 26 dB	≥ 28 dB	≥ 33 dB	≥ 38 dB	≥ 55 dB
VSWR	$\leq 1.25:1$				
Power Rating	100 Watt				
Directivity	≥ 20 dB				
Connector type	N-Female				
Impedance	50Ω				
Colour	Black				
Temperature	-35°C to $+80^{\circ}\text{C}$				
Application	Indoor				

Structure Dimensions (without Bracket):



Front View

