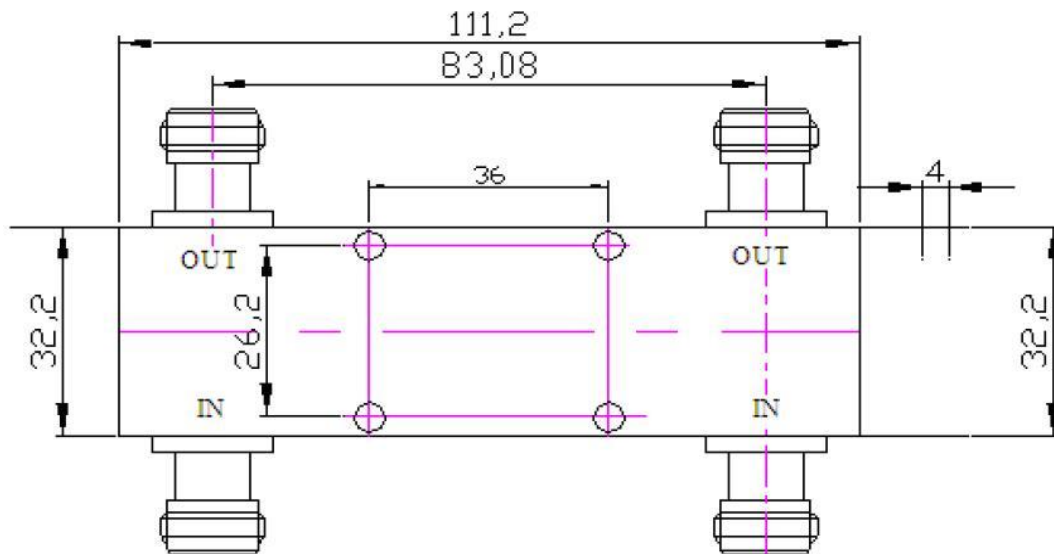




Wide Band 2IN 2OUT 3dB Hybrid Coupler CSG 38002500-200N

PARAMETERS	SPECIFICATIONS
Frequency range	800 ~ 2500 MHz
Dissipation Loss	≤ 3.01 dB
Insertion Loss	≤ 0.50 dB
Band Ripple	≤ 0.50 dB
Coupling	3.0 ± 0.50 dB
Isolation	≥ 22 dB
VSWR	≤ 1.20
Power	≥ 200 Watt
Impedance	50Ω
Connectors	N-Female
Dimensions (Approx.)	111.2 x 32.2 x 18 mm
Weight (Approx.)	240 grams
Operating Humidity	5 ~ 95 %
Operating Temperature	-30 ~ 70 °C

Structure Dimensions:



WE ALSO UNDERTAKE DESIGNS PER YOUR REQUIREMENT



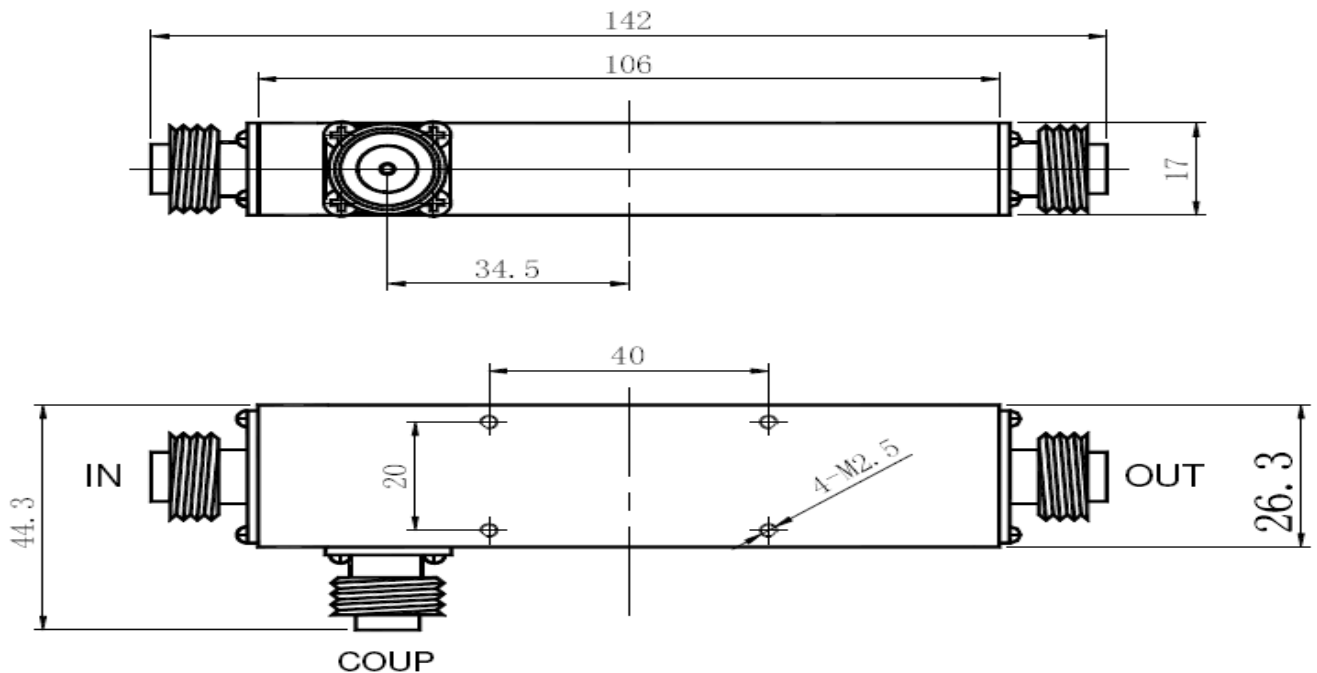
Directional Coupler CSG 3800200 DC-XX

PARAMETERS	SPECIFICATIONS
Frequency Range	800 ~ 2500 MHz
Directivity	≥ 20 dB
Return Loss	≥ 20 dB
Impedance	50 Ω
PIM	≤ -150 @+43dBm X 2dBc
Connector	N(F)
Power Rating	200Watt
Temperature	-30 $^{\circ}$ ~+48 $^{\circ}$ C
Dimensions	120 x 40 x 17 mm
Weight	0.21 Kg
Environment	Indoor use

Part Number	Coupling value (dB)	Coupling Loss (dB)	Normal Coupling (dB)	Insertion Loss (dB)
CSG-3800200DC-5	5	1.65	5 \pm 0.5	0.35
CSG-3800200DC-6	6	1.26	6 \pm 0.5	0.34
CSG-3800200DC-7	7	0.97	7 \pm 0.5	0.23
CSG-3800200DC-8	8	0.75	8 \pm 0.5	0.25
CSG-3800200DC-10	10	0.46	10 \pm 0.5	0.19
CSG-3800200DC-12	12	0.28	12 \pm 0.8	0.22
CSG-3800200DC-15	15	0.14	15 \pm 0.8	0.16
CSG-3800200DC-20	20	0.04	20 \pm 0.8	0.16
CSG-3800200DC-25	25	0.03	25 \pm 0.8	0.17
CSG-3800200DC-30	30	0.01	30 \pm 1.0	0.19
CSG-3800200DC-40	40	0.00	40 \pm 1.5	0.20

Directional Coupler CSG 3800200 DC-5

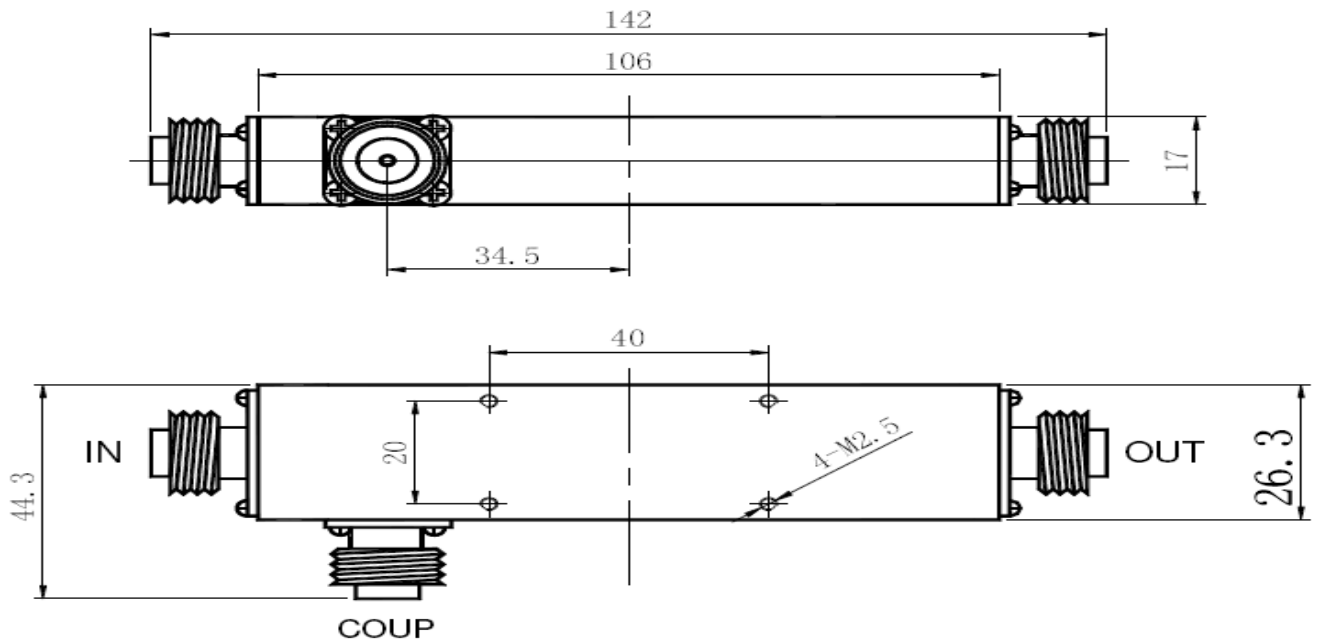
PARAMETERS	SPECIFICATIONS
Frequency Range	800 ~ 2500 MHz
Directivity	≥20dB
Coupling	5.0 dB
Coupling Loss	≤ 1.65 dB
Insertion Loss	≤ 2.0 dB
Impedance	50Ω
PIM	≤-140@+43dBm X 2dBc
Connector	N(F)
Power Rating	100Watt
Temperature	-40°~+70°C
Dimensions	106 x 26.3 x 17 mm
Weight	0.17 Kg
Environment	Indoor use



WE ALSO UNDERTAKE DESIGNS PER YOUR REQUIRMENT

Directional Coupler CSG 3800100 DC-10

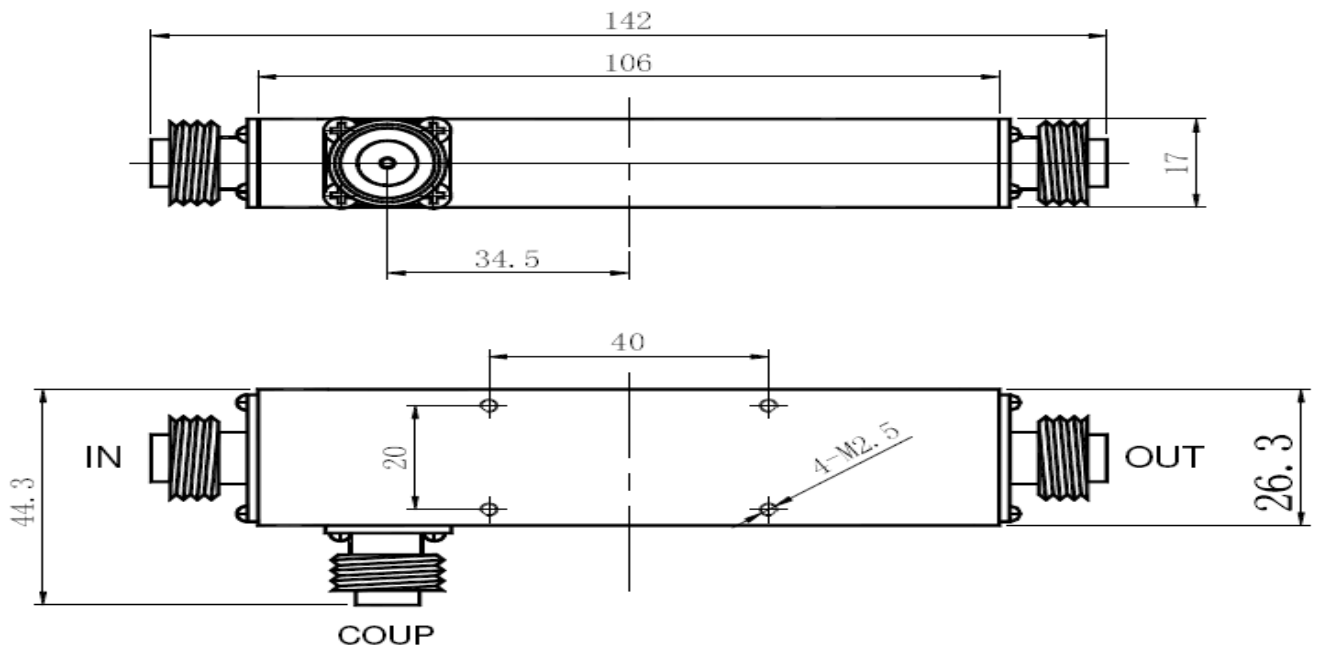
PARAMETERS	SPECIFICATIONS
Frequency Range	800 ~ 2500 MHz
Directivity	≥20dB
Coupling	10 dB
Coupling Loss	≤ 0.46 dB
Insertion Loss	≤ 0.8 dB
Impedance	50Ω
PIM	≤-140@+43dBm X 2dBc
Connector	N(F)
Power Rating	100Watt
Temperature	-40°~+70°C
Dimensions	106 x 26.3 x 17 mm
Weight	0.17 Kg
Environment	Indoor use



WE ALSO UNDERTAKE DESIGNS PER YOUR REQUIRMENT

Directional Coupler CSG 3800200 DC-15

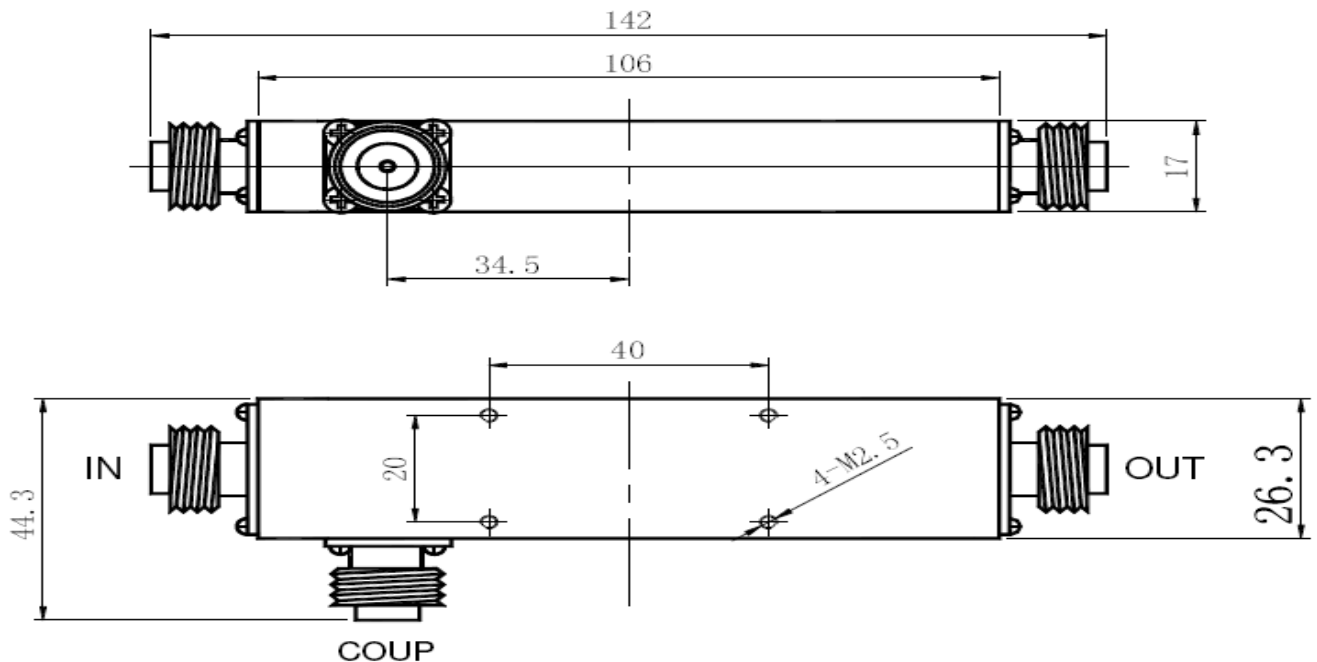
PARAMETERS	SPECIFICATIONS
Frequency Range	800 ~ 2500 MHz
Directivity	≥20dB
Coupling	15.0 dB
Coupling Loss	≤ 0.14 dB
Insertion Loss	≤ 0.45 dB
Impedance	50Ω
PIM	≤-140@+43dBm X 2dBc
Connector	N(F)
Power Rating	100Watt
Temperature	-40°~+70°C
Dimensions	106 x 26.3 x 17 mm
Weight	0.17 Kg
Environment	Indoor use



WE ALSO UNDERTAKE DESIGNS PER YOUR REQUIRMENT

Directional Coupler CSG 3800200 DC-20

PARAMETERS	SPECIFICATIONS
Frequency Range	800 ~ 2500 MHz
Directivity	≥20dB
Coupling	20 dB
Coupling Loss	≤ 0.04 dB
Insertion Loss	≤0.8 dB
Impedance	50Ω
PIM	≤-140@+43dBm X 2dBc
Connector	N(F)
Power Rating	100Watt
Temperature	-40°~+70°C
Dimensions	106 x 26.3 x 17 mm
Weight	0.17 Kg
Environment	Indoor use



WE ALSO UNDERTAKE DESIGNS PER YOUR REQUIRMENT