

700~2700MHz 15dB Directional Coupler

CSG 37002700 DC-15-DINC

PARAMETERS	SPECIFICATIONS
Freq Range	698~2700 MHz
Coupling	15±1 dB
Insertion Loss	≤0.4 dB
Isolation	≥35 dB
Impedance	50 Ω
VSWR	≤1.25
Power max.	≤500 W
PIM3	≤-150dBc@2×20 W
Connector	DIN-Female
Color	Grey
Dimension (Approx)	180×71×38 mm
Weight (Approx)	850 grams
Operating Humid	5~95%
Temperature	-25~65°C
Environmental	Indoor or Outdoor/IP65



WE ALSO UNDERTAKE DESIGNS PER YOUR REQUIREMENT

700~2700MHz 6dB Directional Coupler
CSG 37002700 DC-06-DINC

PARAMETERS	SPECIFICATIONS
Freq Range	698~2700 MHz
Coupling	6±0.6 dB
Insertion Loss	≤1.5
Isolation	≥26 dB
Impedance	50 Ω
VSWR	≤1.25
Power max.	≤500 W
PIM3	≤-150dBc@2×20 W
Connector	DIN-Female
Color	Grey
Dimensions (Approx)	180×71×38 mm
Weight (Approx)	850 grams
Operating Humid	5~95%
Temperature	-25 ~ +65°C
Environmental	Indoor or Outdoor / IP65



WE ALSO UNDERTAKE DESIGNS PER YOUR REQUIREMENT

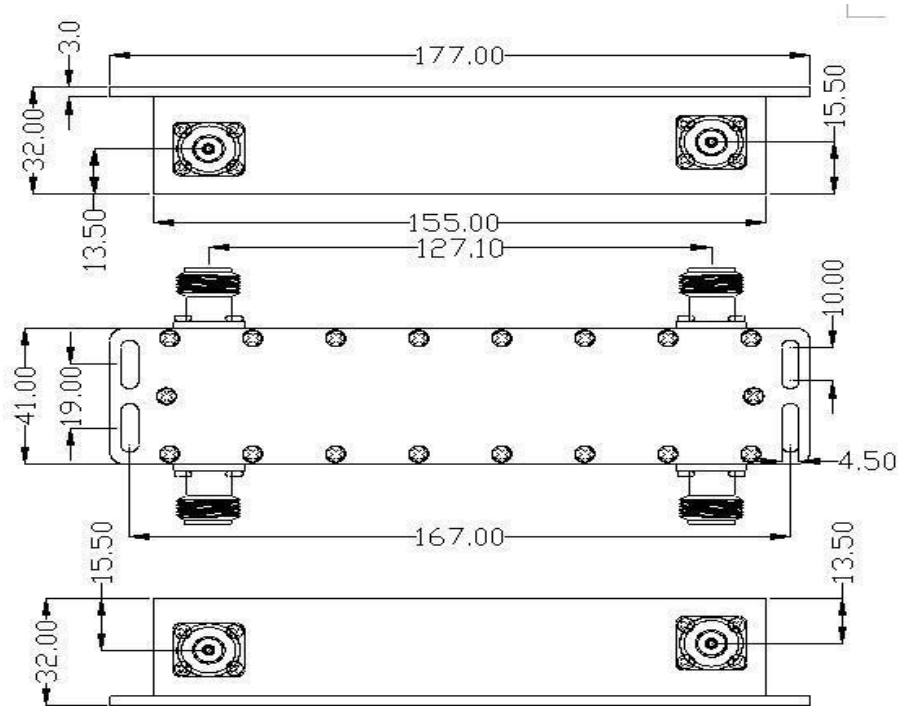


Wide Band 2IN 2OUT 3dB Hybrid Coupler

CSG 36982700-200N

PARAMETERS	SPECIFICATIONS
Frequency range	698 ~ 2700 MHz
Dissipation Loss	≤ 3.01 dB
Insertion Loss	≤ 0.50 dB
Band Ripple	≤ ± 0.4 dB
Coupling	3.0 ± 0.50 dB
Isolation	≥ 22 dB
VSWR	≤ 1.20
Power	≥ 200 Watt
Impedance	50Ω
PIM3	≤ -150 dBc @ 2 x 43 dBm
Connectors	N-Female
Dimensions	177 x 41 x 32 mm
Weight Approx.	350 grams
Operating Humidity	5 ~ 95 %
Operating Temperature	-30 ~ 70 °C
Environment	Indoor

Structure Dimensions:



WE ALSO UNDERTAKE DESIGNS PER YOUR REQUIREMENT



Directional Coupler CSG 360050DC-XX

PARAMETERS	SPECIFICATIONS						
Model	CSG360050 DC-5	CSG360050 DC-6	CSG360050 DC-7	CSG360050 DC-8	CSG360050 DC-10	CSG360050 DC-12	CSG360050 DC-15
Frequency Range	600~2700MHz						
Coupling Level	5dB	6dB	7dB	8dB	10dB	12dB	15dB
Insertion Loss	≤2.2 dB	≤2.0 dB	≤2.0 dB	≤1.3 dB	≤1.1 dB	≤1.0 dB	≤0.5 dB
Isolation	≥20dB						
VSWR	≤1.4:1 dB						
Impedance	50Ω						
Power Capacity	50Watt						
Connector	N(F)						
Dimension	165 x 55 x 20 mm						
Weight	210 grams						
Relative Humidity	5% ~ 95%						
Temperature	-40°C ~ + 60°C						



WE ALSO UNDERTAKE DESIGNS PER YOUR REQUIREMENT